



2023 CATALOG



MP170-2SCT

INTRO

MUD PUPPY	4
HOW MUD PUPPY WORKS	5-6

UNITS

WHICH MUD PUPPY IS RIGHT FOR YOU?	7
MUD PUPPY 85 - RIG	8
MUD PUPPY 85- 2SC.....	9
MUD PUPPY 170 - 2SC.....	10
MUD PUPPY 170 - HDD	11
MUD PUPPY 255 -2SC.....	12
MUD PUPPY 255 - 100.....	13
MUD PUPPY 255 - 400.....	14

ADD-ONS

TRACK SYSTEM	15-16
TRAILER PACKAGE	17
MIX HOPPER	18

MUD PUPPY PARTS

MUD CLEANERS & SHAKERS

MUD CLEANERS	19
SHAKER SCREENS	20
SHAKER MOTORS	21
SHAKER MOTOR ASSEMBLY - MP170	22
SHAKER MOTOR ASSEMBLY MP255.....	23

CONES

DESANDER CONE BREAKOUT 5 INCH.....	24-25
DESANDER CONE BREAKOUT 4 INCH.....	26-27

PUMPS

MUD PUPPY 250 PUMPS	28-29
250 SHORT BODY PUMP ASSEMBLY WITH ROPE PACKING	30
250 SHORT BODY PUMP ASSEMBLY WITH MECHANICAL SEAL.....	31
TT250 LONG BODY PUMP ASSEMBLY WITH MECHANICAL SEAL - BASE SELECTION	32
TT250 LONG BODY PUMP ASSEMBLY WITH ROPE PACKING - BASE SELECTION.....	33
MUD PUPPY 118 PUMPS.....	34-35
TT118 PUMP ASSEMBLY WITH MECHANICAL SEAL AND OPTION	36
TT118 PUMP ASSEMBLY WITH ROPE PACKING AND OPTION	37
118 WET END.....	38-39
250 WET END	40-41
118 DISCHARGE AND STUB SHAFT	42-43
250 PUMP STUB SHAFT.....	44-45
250 PUMP SHAFT KITS.....	46-47

SAND GUZZLER

MUD PUPPY SAND GUZZLER	48-49
MP001047 KIT T09 AND T11 SAND GUZZLER MOTOR 1 INCH MECHANICAL SEAL.....	50-51
T09 SAND GUZZLER EXPLODED VIEW PERMCO MOTOR WITH MECHANICAL SEAL	52-53
T06 SAND GUZZLER EXPLODED VIEW CATALOG	54-55
T11 SAND GUZZLER EXPLODED VIEW PERMCO MOTOR WITH MECHANICAL SEAL.....	56-57
FLOW RATES	58

MUD PUPPY WARRANTY	61
--------------------------	----



MUD PUPPY

Recycles the Mud and Dumps the Crud

Mud Puppy is here to help you dispose of unwanted rock, sand and mud so that you can focus on getting the job done quicker and cleaner than the ever before. By using Mud Puppy Mud Recyclers, you will dramatically reduce the wear and tear on the mud pump, drill string and other vital parts of the ground drill. In addition, using our recyclers means you will use less water on site and will make the mud cleaner for drilling.

We know that time is money. With Mud Puppy Mud Recyclers, you are up and running in minutes and you will never need a settling pit or be asked to shovel sand from the mud tank.

Our Mud Puppy line has been designed, engineered and built by leading professionals in the industry. Featuring a compact, lightweight and self-contained design, Mud Puppy offers top-of-the-line quality parts and units at prices that meet your budget.

With more than thirty years of unparalleled customer service, you will have the comfort knowing Mud Puppy will be there to service all of your crud clearing needs. We appreciate you considering Mud Puppy products and look forward to working with you.

Discover more Mud Puppy Products online at mudpuppyinc.com

Speak with us at **530.662.5055**

Or write to us at orders@mudpuppyinc.com



HOW MUD PUPPY WORKS

Mud Puppy is a self-contained, mud-recycling unit that uses less water than traditional methods and results in cleaner mud for further drilling. No longer will you and your crew be left to shovel sand from the mud tank as the Mud Puppy Mud Recycler does the work faster and more efficient.

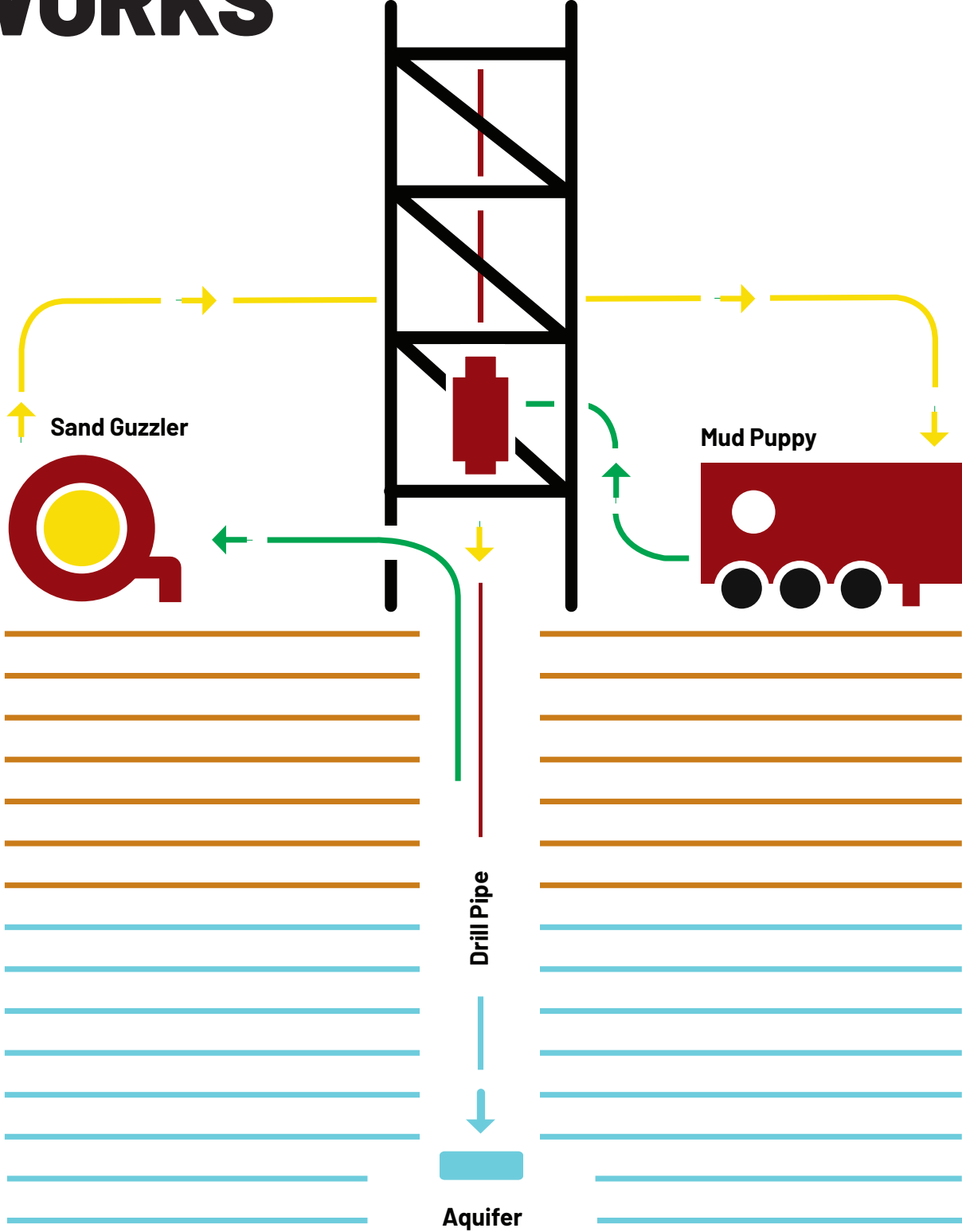
The Mud Puppy Mud Recycler works by filtering the drilling fluid and cuttings along the drill pipe, mud pit or mud pan and separates the rock, sand, clay and various unwanted fragments. After the initial filtration, smaller

cuttings are further filtered through the tank and are pulled through the sand trap. From there, the cuttings are run through the desanding cones and processed on top of a finer screen located on the shaker bed. Finally, the mud is purified and now suitable to be sent back to the drilling rig.

Our process helps to save not only time on the job, but has been proven to increase the life of drill pump and plumbing equipment.



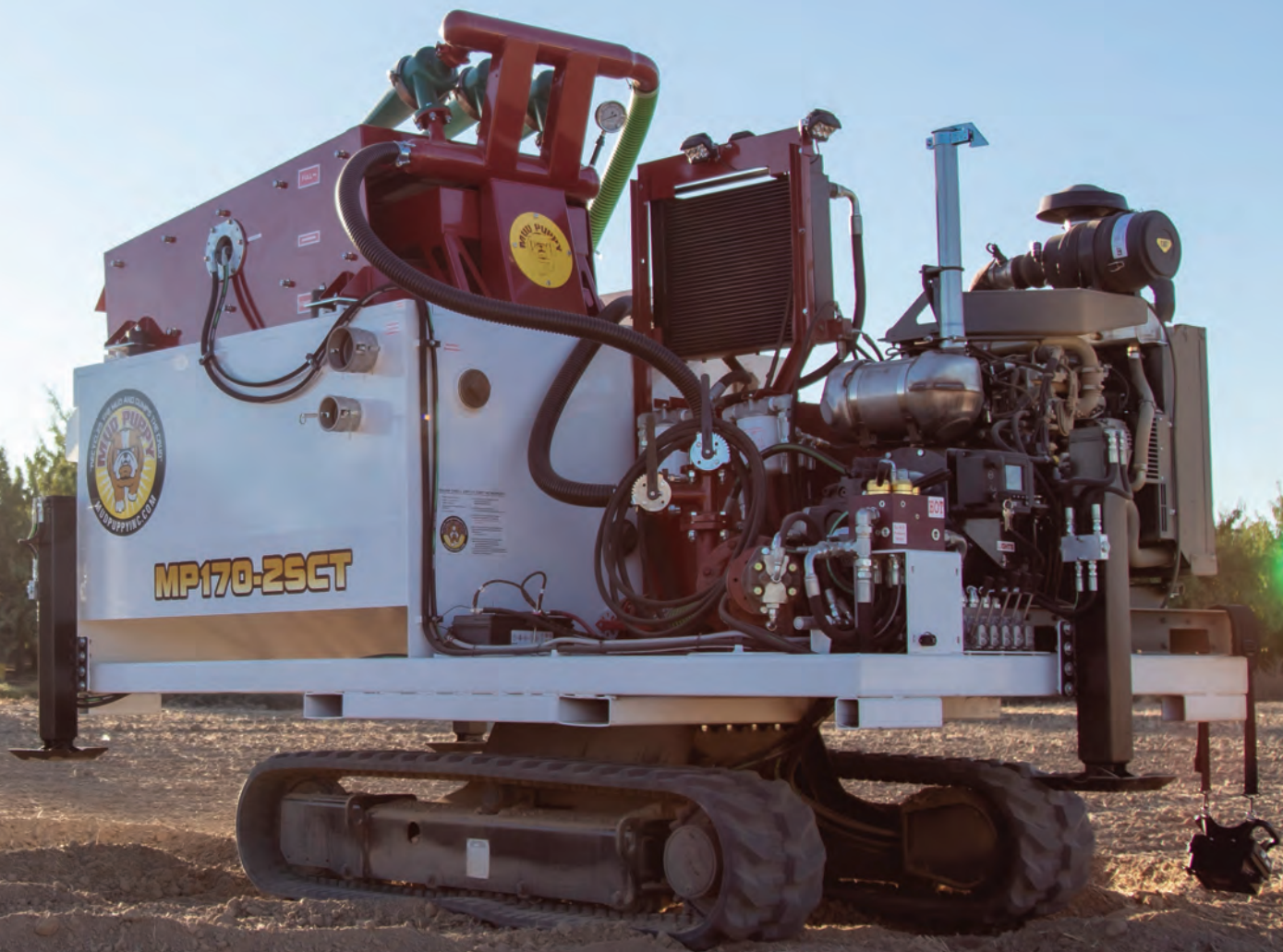
HOW MUD PUPPY WORKS





WHICH MUD RECYCLER IS RIGHT FOR YOU?

Mud Puppy offers a range of options to meet the demands of your specific drilling projects. Our mud recyclers will help you save time, water and money. Please don't hesitate to ask us which recycler will work best for you. Our knowledgeable staff will help you determine what is best for your crud cleaning needs.





MUD PUPPY 85 – RIG

Process and Clean up to 250 Gallons/Minute of Drill Mud

400 Gallon Patented Mud Puppy Mud Tank

2' x 3' Double Shaker Screen: Bottom
10 Mesh / Top 100 Mesh

Two 5" Desander Cones

2" x 3" 118 Centrifugal Mud Pump set at 30 - 35 PSI

8" Sand Guzzler pick up pump

Complete Hydraulic System



MUD PUPPY 85 – 2SC

Process and Clean up to 250 Gallons/Minute of Drill Mud

400 Gallon Patented Mud Puppy Mud Tank

2' x 3' Double Shaker Screen: Bottom
10 Mesh / Top 100 Mesh

Two 5" Desander Cones

2" x 3" 118 Centrifugal Mud Pump set at 30 - 35 PSI

2" x 3" 118 Centrifugal Mud Pump set at 30 - 35 PSI

8" Sand Guzzler pick up pump

Caterpillar 2.2 Cylinder Diesel Engine - 49 horsepower

Complete Hydraulic System



MUD PUPPY 170 – 2SC

Process and Clean up to 350 Gallons/Minute of Drill Mud

600 Gallon Patented Mud Puppy Mud Tank

3' x 5' Double Shaker Screen: Bottom
10 Mesh / Top 100 Mesh

Two, three or four 5" Desander Cones

2" x 3" 118 Centrifugal Mud Pump set at 30 – 35 PSI

9" patented Tetra Greene Sand Guzzler pick up pump

Caterpillar 2.8 Cylinder Diesel Engine - 74 horsepower

Complete Hydraulic System



MUD PUPPY 170 – HDD

Process and Clean up to 350 Gallons/Minute of Drill Mud

600 Gallon Patented Mud Puppy Mud Tank

3' x 5' Double Shaker Screen: Bottom
10 Mesh / Top 100 Mesh

Two, three or four 5" Desander Cones

2" x 3" 118 Centrifugal Mud Pump set at 30 - 35 PSI

Additional 2" x 3" 118 Centrifugal Mud Pump

*200 gallons per minute at 30 PSI w/ 2" Discharge
Manifold Sample Port & 0-100 PSI gauge (Flange to 90
to 2" Companion Flange w/Valve)

9" patented Tetra Greene Sand Guzzler pick up pump

Caterpillar 2.8 Cylinder Diesel Engine - 74 horsepower

Complete Hydraulic System



MUD PUPPY 255 – 2SC

Process and Clean up to 500 Gallons/Minute of Drill Mud

1000 Gallon Patented Mud Puppy Mud Tank

4' x 5' Double Shaker Screen: Bottom
10 Mesh / Top 100 Mesh

Three, four or five 5" Desander Cones

2" x 3" 118 Centrifugal Mud Pump set at 30 - 35 PSI

11" patented Tetra Greene Sand Guzzler pick up pump

Caterpillar 2.8 Cylinder Diesel Engine - 74 horsepower

Complete Hydraulic System



MUD PUPPY 255 – 100

Process and Clean up to 500 Gallons/Minute of Drill Mud

1000 Gallon Patented Mud Puppy Mud Tank

4' x 5' Double Shaker Screen: Bottom
10 Mesh / Top 100 Mesh

Three, four or five 5" Desander Cones

2" x 3" 118 Centrifugal Mud Pump set at 30 - 35 PSI

3" x 4" x 13" Centrifugal Mud Pump set at 200 PSI at
500 gallons/minute, 100 horsepower

11" patented Tetra Greene Sand Guzzler pick up pump

Caterpillar 7.1 Cylinder Diesel Engine - 254 horsepower

Complete Hydraulic System



MUD PUPPY 255 – 400

Process and Clean up to 500 Gallons/Minute of Drill Mud

1000 Gallon Patented Mud Puppy Mud Tank

4' x 5' Double Shaker Screen: Bottom
10 Mesh / Top 100 Mesh

Three, four or five 5" Desander Cones

2" x 3" 118 Centrifugal Mud Pump set at 30 - 35 PSI

11" patented Tetra Greene Sand Guzzler pick up pump

Caterpillar 2.8 Cylinder Diesel Engine - 74 horsepower

Complete Hydraulic System

MUD PUPPY TRACK SYSTEM

The excavator track system provides flexibility to move about the job site like never before. Freeing you and your crew to concentrate on the drill hole, ensuring you're not wasting unnecessary time on relocating the MP Mud Recycler.



FEATURING CATERPILLAR 304 TRACKS

- Tracks with welded body made out of 1/4 steel
- Hydraulic valve block for tracks and outriggers
- Hydraulic hoses
- Three hydraulic outriggers



SPECIALIZED REMOTE CONTROL AND ON-UNIT GEAR OPTIONS

The track system comes with a remote control to give you the freedom to operate the Mud Puppy Mud Recycler from various distances.

On-unit hand controls also come standard for multiple control points – thus never slowing you down when a MP Mud Recycler needs to be moved.



MUD PUPPY 170 – 2SCT

- Process and clean up to 350 gallons per minute of drill mud
- 600-gallon patented Mud Puppy Mud Tank
- 3' x 5' Double Shaker Screen: Bottom 10 Mesh / Top 100 Mesh
- Two, three or four 5" Desander Cones
- 2" x 3" size 1-1/8" Centrifugal Mud Pump set at 30 - 35 PSI
- 9" patented Tetra Greene Sand Guzzler pick up pump
- Caterpillar 2.8 Cylinder Diesel Engine - 74 horsepower
- Complete Hydraulic System
- Increased Mobility // Remote and On-Unit Controls



MUD PUPPY 85 – 2SCT

- Process and clean up to 250 GPM of drill mud
- 400 Gallon Patented Mud Puppy Mud Tank
- 2' x 3' Double Shaker Screen: Bottom 10 Mesh / Top 100 Mesh
- Two 5" Desander Cones
- 2" x 3" 118 Centrifugal Mud Pump set at 30 - 35 PSI
- 8" Sand Guzzler pick up pump
- Caterpillar 2.2 Cylinder Diesel Engine - 49 horsepower
- Complete Hydraulic System
- Increased Mobility // Remote and On-Unit Controls

TRAILER PACKAGE

Our trailer makes moving your Mud Puppy
Mud Recycler easier than ever.



- We offer 12-foot, 14-foot and 16-foot trailers for the MP17-2SC, MP255-2SC and MP255-100 models.
- Hydraulic outriggers available for the MP170-2SC with hand leveling.
- Hydraulic outriggers come standard for the MP255-2SC and MP255-100 models.
- 2" ball hitch or pentile hitch options.

MIX HOPPER

Featuring a Vacuum Jet Venturi, the Mud Puppy Mix Hopper is light weight, easy to set up and is collapsible for convenient storage.



30 PSI Minimum

Runs up to 200 PSI

50+ GPM for optimal efficiency

Support table and Cover

Expands to: 35"L x 20"W x 28"H

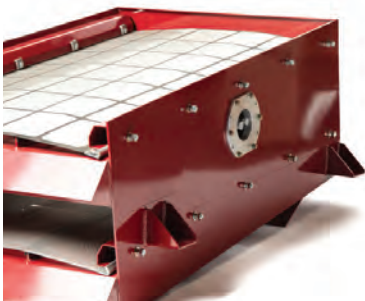
Collapses to: 19"L x 20"W x 28"H

MUD CLEANERS

With three distinct mud cleaners, Mud Puppy offers you scalability with fast, easy set up to save you time and money. The MC85-2SC, MC170-2SC and the MC255-2SC come in options of two to five cones depending on the selected model. Our knowledgeable staff is available to help you make the best choice for your specific project or long-term needs.

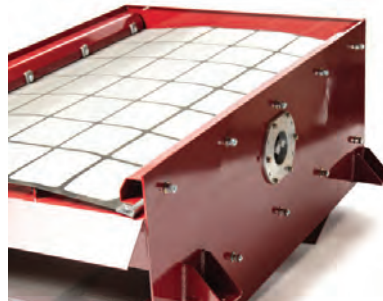
FEATURES:

Bottom Screen 10 Mesh, Top Screen 100 Mesh with 20 Mesh Backing, Hydraulic Driven with Constant Speed Control, Hydraulic Motor, Rotary Motion, Long Frame for Customizable Cut



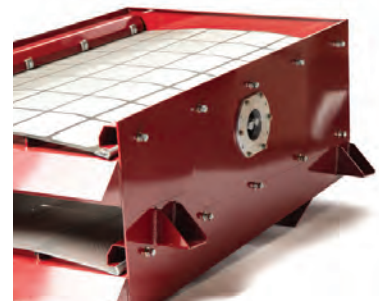
2X3

85 double screen shaker is up to 250 GPM



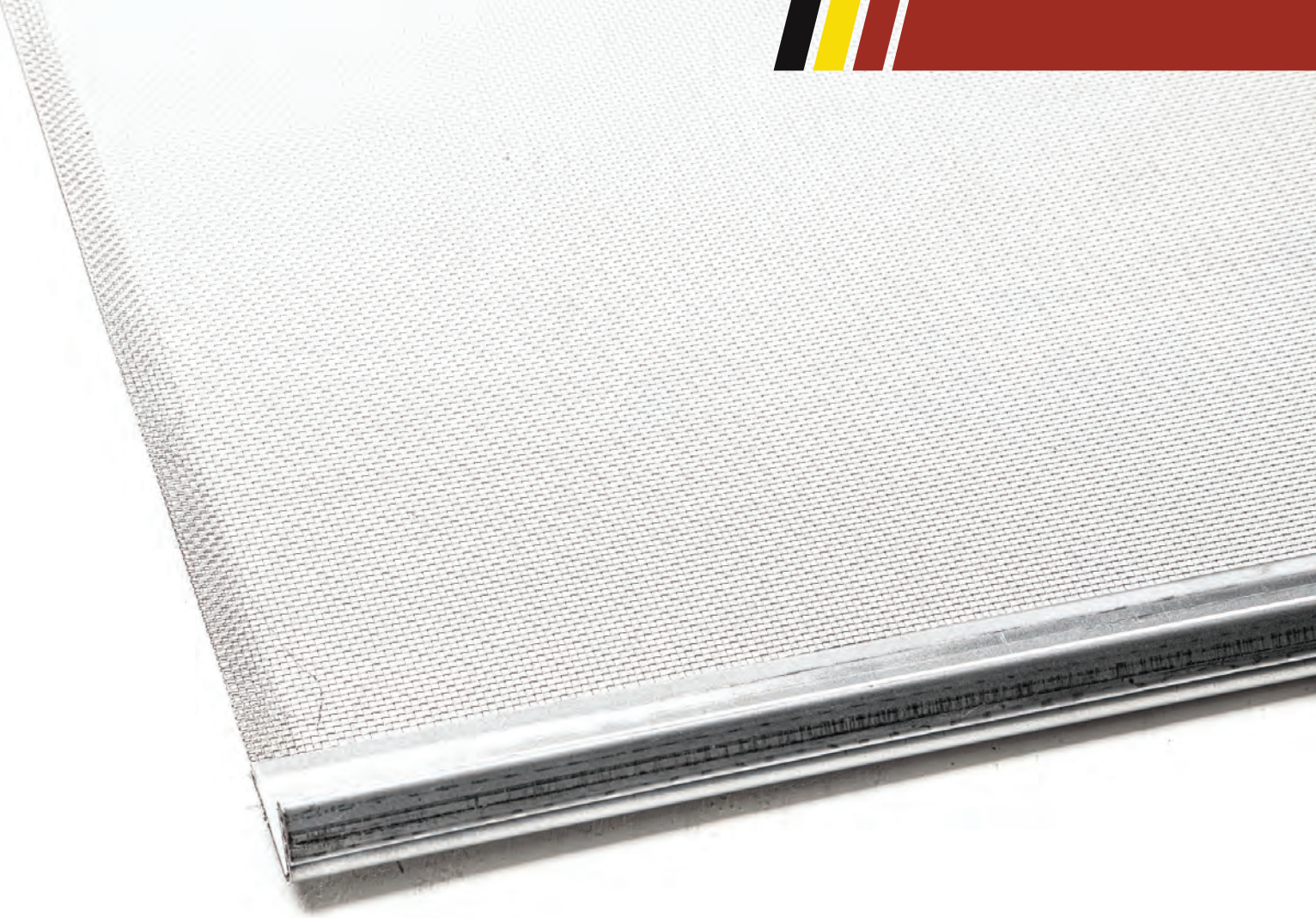
3X5

170 double screen shaker is up to 360 GPM



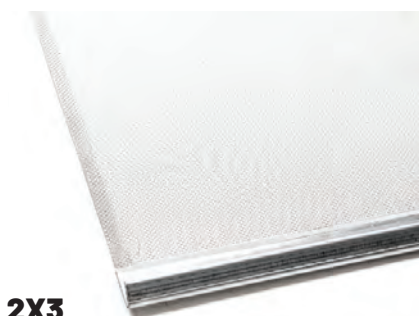
4X5

255 double screen shake up to 500 GPM

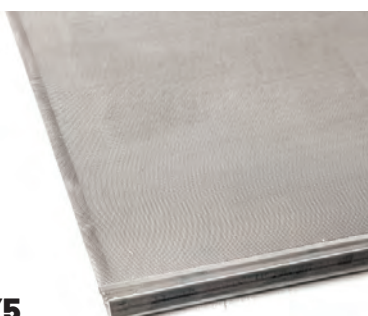


SHAKER SCREENS

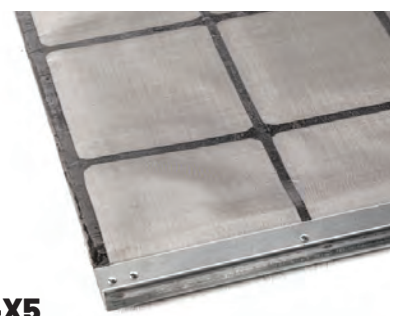
Mud Puppy Shaker Screens come in three distinct options to meet your crud sorting needs; 2x3 Single Screen, 3x5 Double Screen and 4x5 Double Screen.



2X3



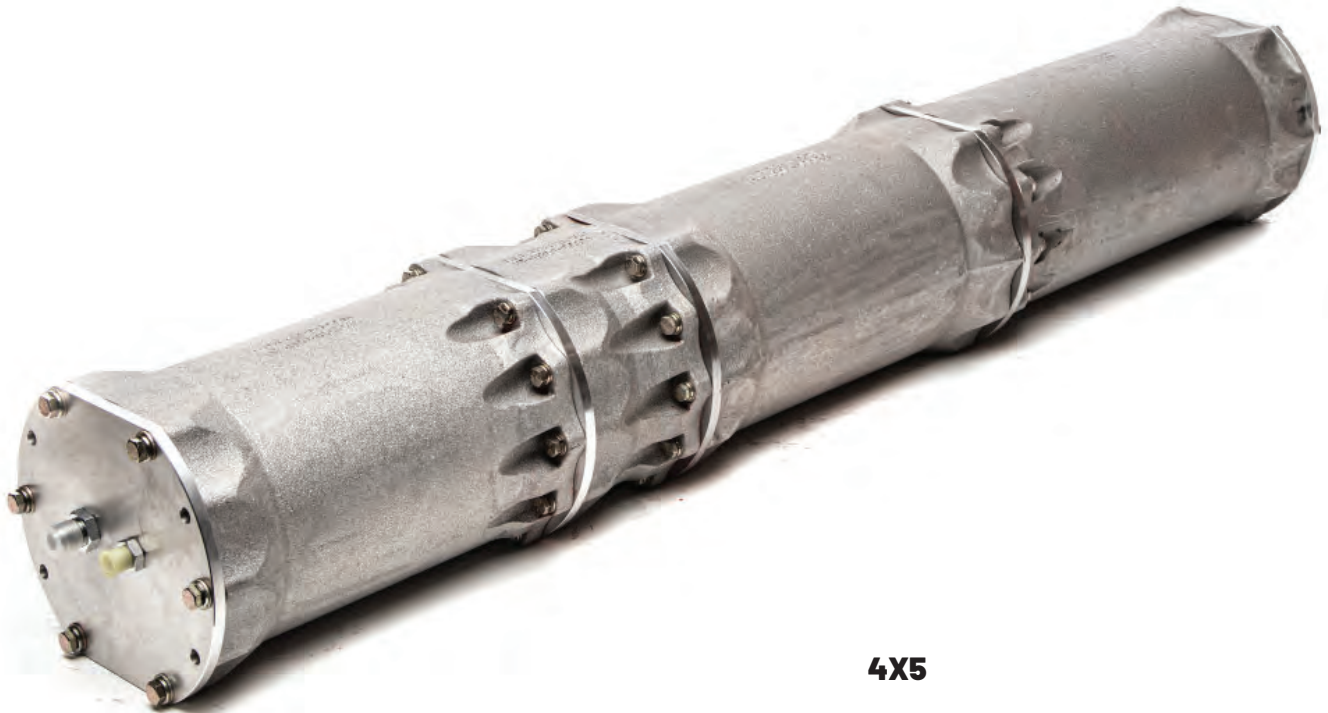
3X5



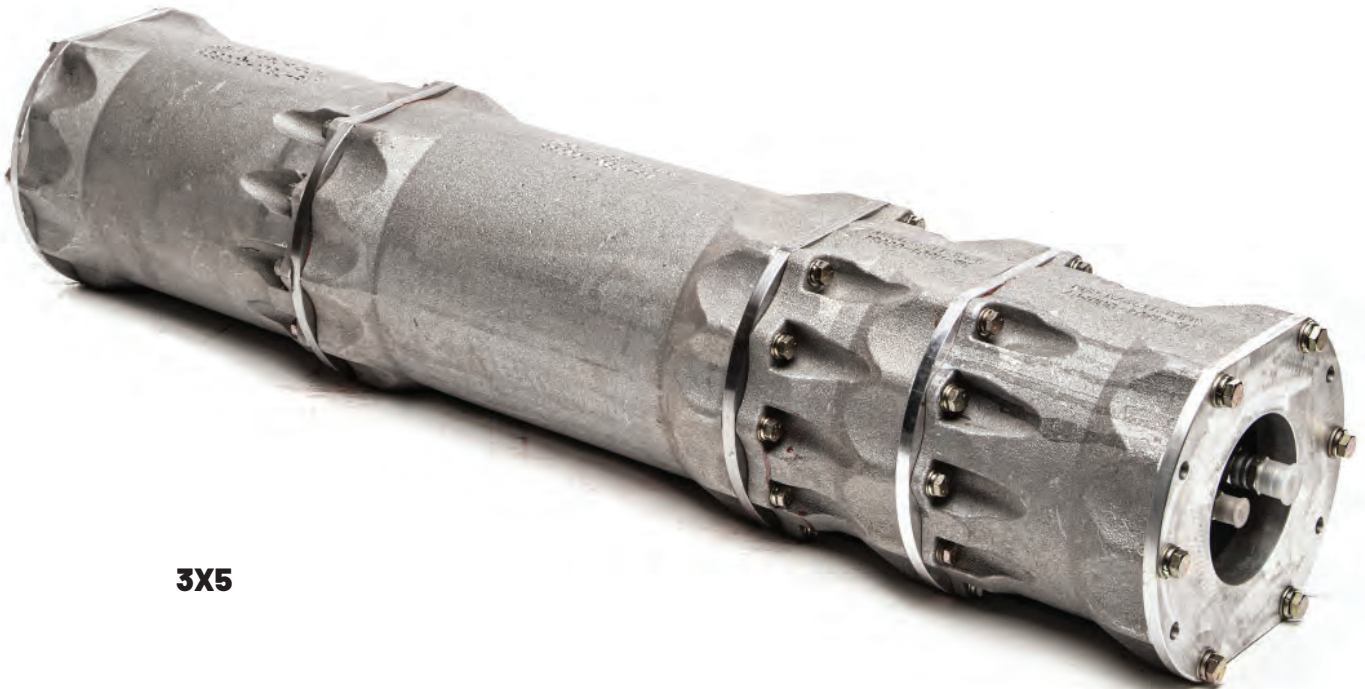
4X5



SHAKER MOTORS



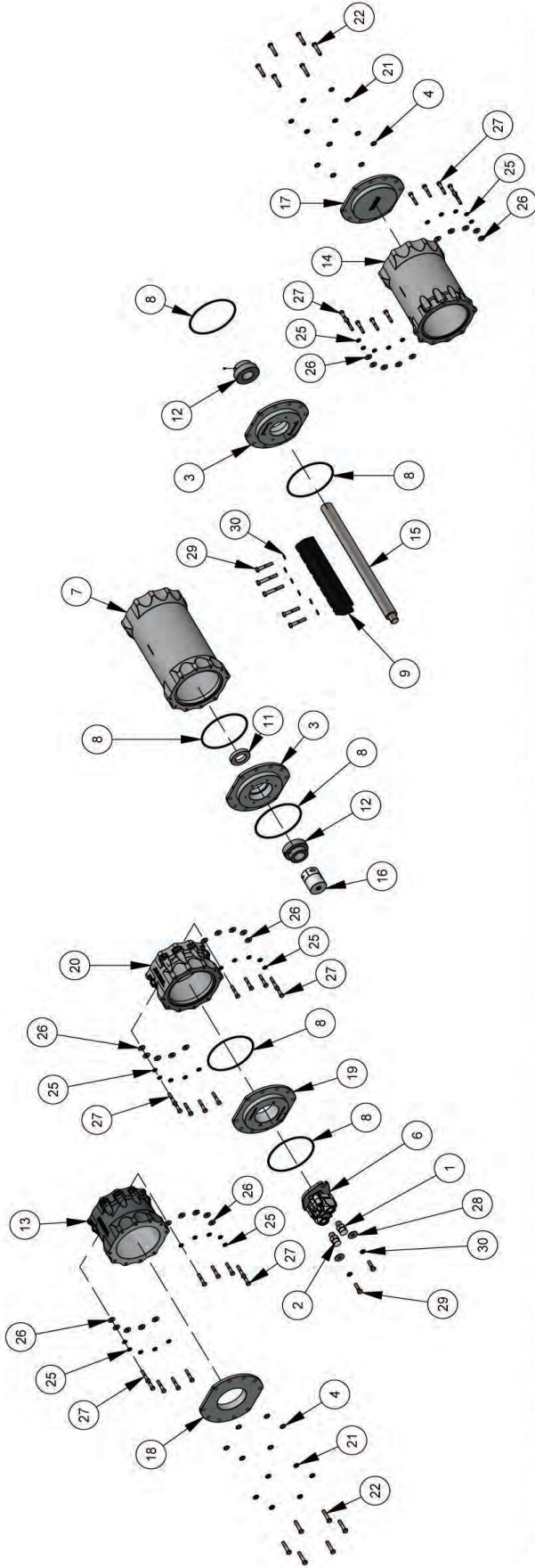
4X5



3X5



SHAKER MOTOR ASSEMBLY - MP170

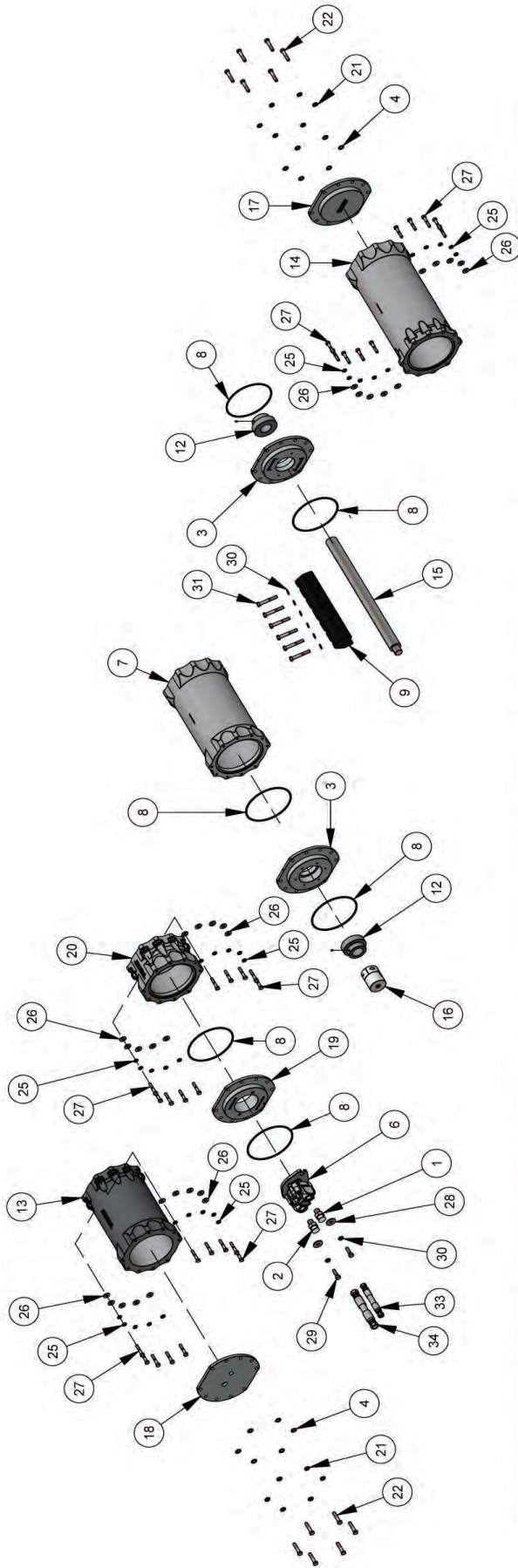


Item	Qty	Part Number	Description
Standard Shaker Motor Selection			
1	1	MP321077	#6 Hydraulic Motor Fitting
2	1	MP321013	#8 Hydraulic Motor Fitting
3	2	MP-U301-00025-S	Inner Ring Bearing Mount
4	12	MPH-W-00005	Washer, Flat, 3/8"
6	1	MP340056	Motor Splined
7	1	MP-U301-00022	Weight Housing
8	6	MPH-R-00004	O-Ring
9*	1	MP342988	Shaker Shaft Weight, Tail
12	2	MP340041	Shaft Bearing
13	1	MP-U301-00020A	Motor Housing, 170
14	1	MP-U301-00023A	Spacer Housing, 170
15	1	MP-U304-00001	Short Shaft
16#	1	MP-U322-00008	Spline Shaft Coupling
17	1	MP-U301-00027	Side Wall Key Plate (Non-Motor Side)
18	1	MP-U301-00026	Side Wall Key Plate (Motor Side)

Item	Qty	Part Number	Description
MP-U301-00100 Shaker Motor Assembly MP170			
19	1	MP-U301-00024	Shaker Motor Mount
20	1	MP-U301-00021	Hub & Coupling Housing
21	12	MPH-W-00005	Washer, Lock, 3/8"
22	12	MPH-B-00006	Hex Bolt, 3/8"
25	30	MPH-W-00008	Washer, Lock, 5/16"
26	30	MPH-W-00007	Washer, Flat, 5/16"
27	30	MPH-B-00004	Hex Bolt, 5/16"
28	2	MPH-W-00004	Washer, Flat, 3/8"
29	2	MPH-B-00003	Hex Bolt, 3/8"
30	8	MPH-W-00006	Washer, Lock, 3/8"
31	6	MPH-B-00002	Hex Bolt, 3/8"
Options Reference:			
* Part Number MP342988 Can Be In Place As An Option			
# Part Number MP322-00004.Spline Can Be Used In Place As An Option			



SHAKER MOTOR ASSEMBLY - MP255



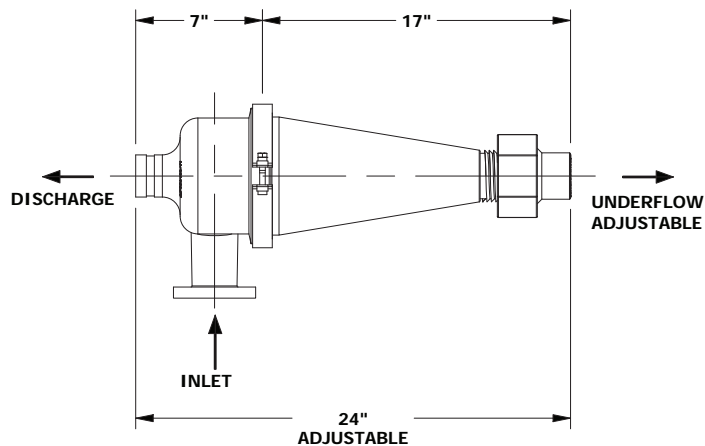
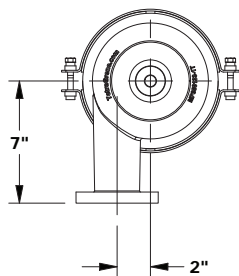
Item	Qty	Part Number	Description
Standard Shaker Motor Selection			
1	1	MP321077	#6 Hydraulic Motor Fitting
2	1	MP321013	#8 Hydraulic Motor Fitting
3	2	MPU-U301-00025-S	Inner Ring Bearing Mount
4	12	MPH-W-00005	Washer, Flat, 3/8"
6	1	MP340056	Motor Splined
7	1	MP-U301-00022	Weight Housing
8	6	MPH-R-00004	O-RING
9*	1	MP342988	Shaker Shaft Weight, Tall
12	2	MP340041	Shaft Bearing
13	1	MP-U301-00020B	Motor Housing, MP255
14	1	MP-U301-00023B	Spacer Housing, MP255
15	1	MP-U304-00001	Short Shaft
16#	1	MP-U322-00008	Spline Shaft Coupling
17	1	MP-U301-00027	Side Wall Key Plate (Non-Motor Side)
18	1	MP-U301-00031	Side Wall Key Plate (Motor Side)
19	1	MP-U301-00024	Shaker Motor Mount
20	1	MP-U301-00021	Hub & Coupling Housing

Item	Qty	Part Number	Description
21	12	MPH-W-00005	Washer, Lock, 3/8"
22	12	MPH-B-00006	Hex Bolt, 3/8"
25	30	MPH-W-00008	Washer, Lock, 5/16"
26	30	MPH-W-00007	Washer, Flat, 5/16"
27	30	MPH-W-00004	Hex Bolt, 5/16"
28	2	MPH-W-00004	Washer, Flat, 3/8"
29	2	MPH-B-00003	Hex Bolt, 3/8"
30	8	MPH-W-00006	Washer, Lock, 3/8"
31	6	MPH-B-00017	Hex Bolt, 3/8"
33	1	MP220225	Hose, Shaker Motor Pigtail, #6
34	1	MP220226	Hose Shaker Motor Pigtail, #8

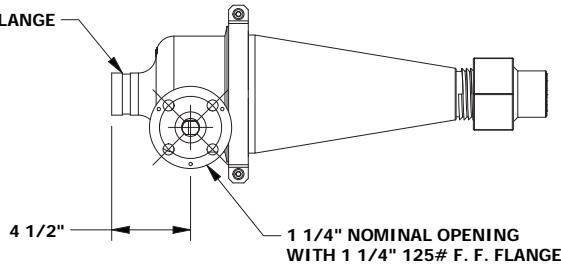
Options Reference:

- * Part Number MP342988 Can Be In Place As An Option
- # Part Number MP322-00004 Spline Can Be Used In Place As An Option

5 INCH DESANDER CONE



2" VICTAULIC FLANGE

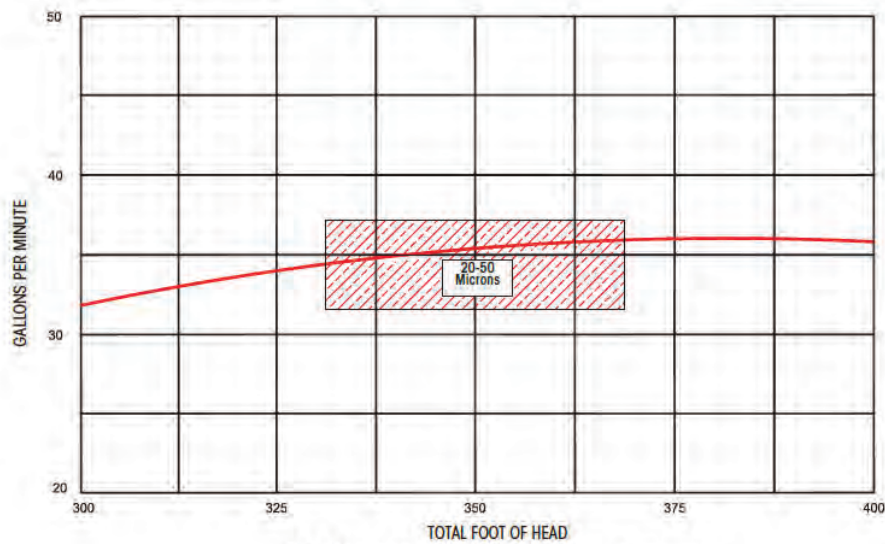


5" DESANDER CONE DIMENSIONS



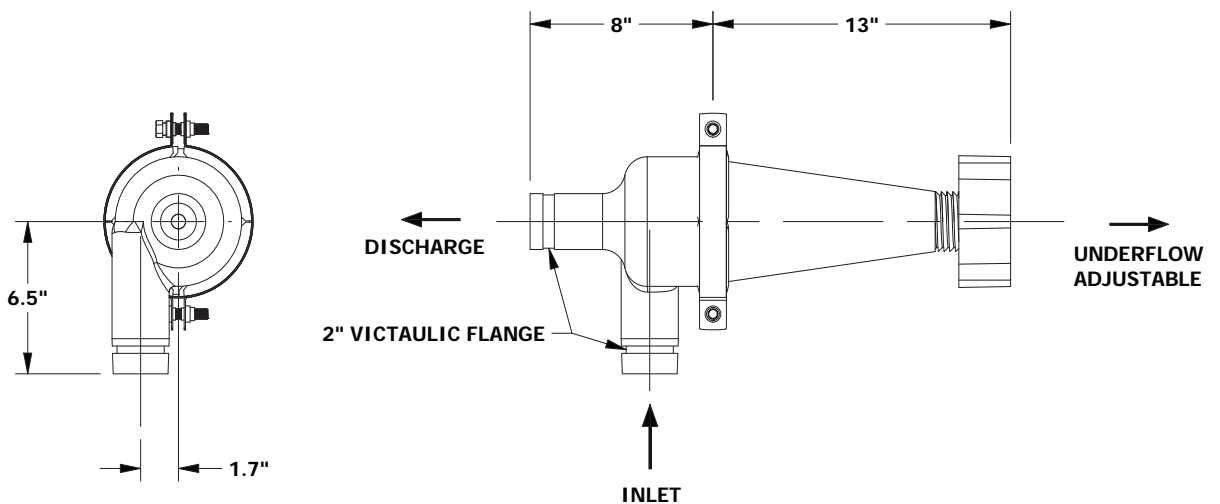
MP380112-T-T TetraGrene 5" Desander Cone Assembly

ITEM	QTY	PART NUMBER	DESCRIPTION
1	-	MP380133-T	DESANDER CONE 5" FEED SECTION GREEN THD
2	1	MP380134-1T	DESANDER CONE 5" CONE SECTION GREEN THD
3	1	MP380148	DESANDER CONE 5" CENTER BAND 2 BOLT CLAMP
4	1	MP380115-1-T	DESANDER CONE 5" APEX/NUT HOLDER GREEN THD
5	1	MP380116-2T	DESANDER CONE 5" APEX 5/8" GREEN THD

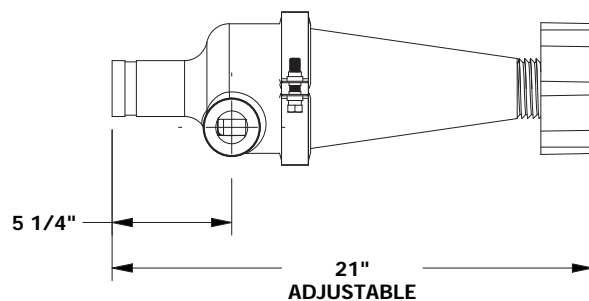


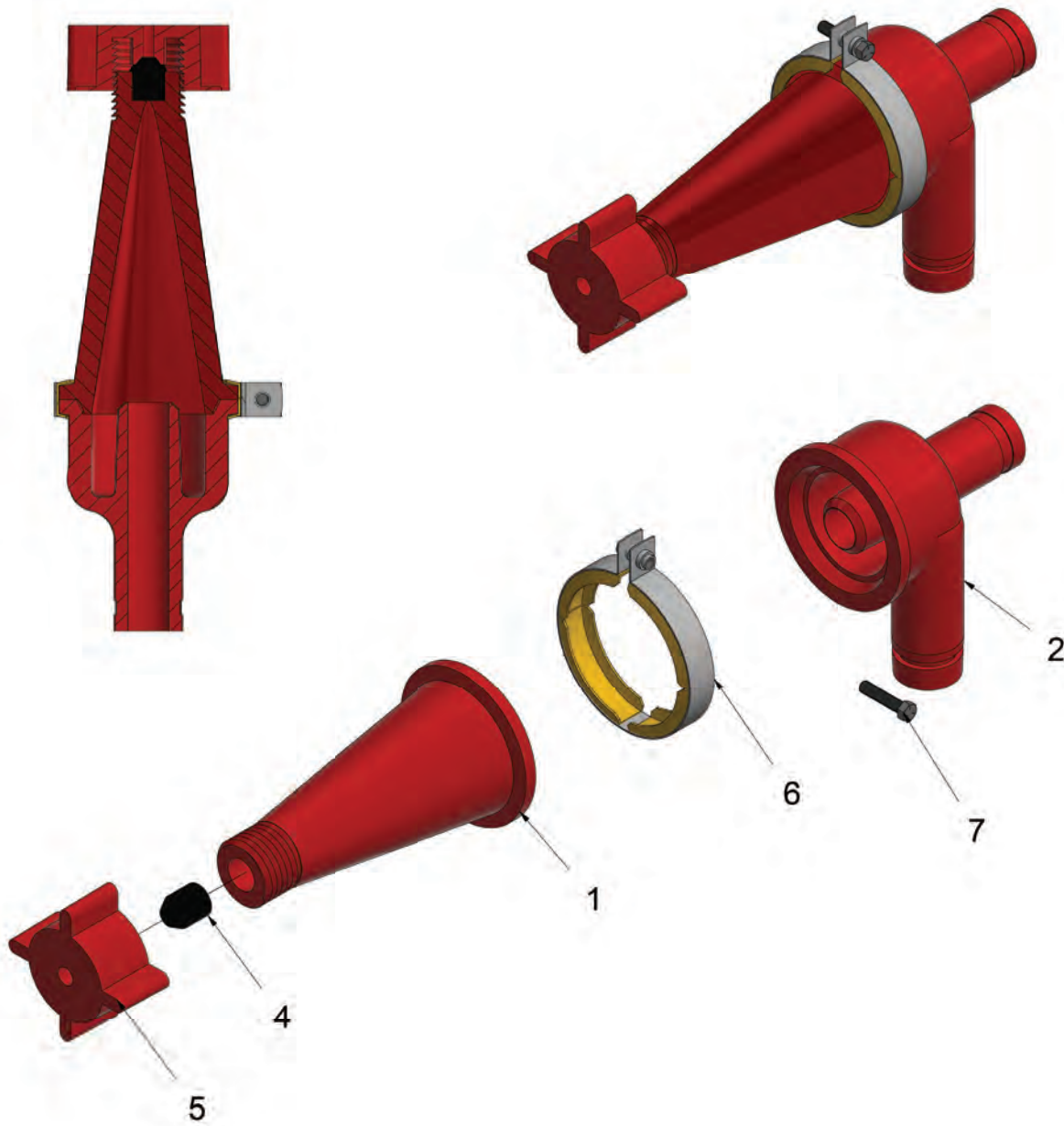
Mud Puppy 5 Inch Desander Cone Optimum Particle Separation Chart

4 INCH DESANDER CONE



4" DESANDER CONE DIMENSIONS

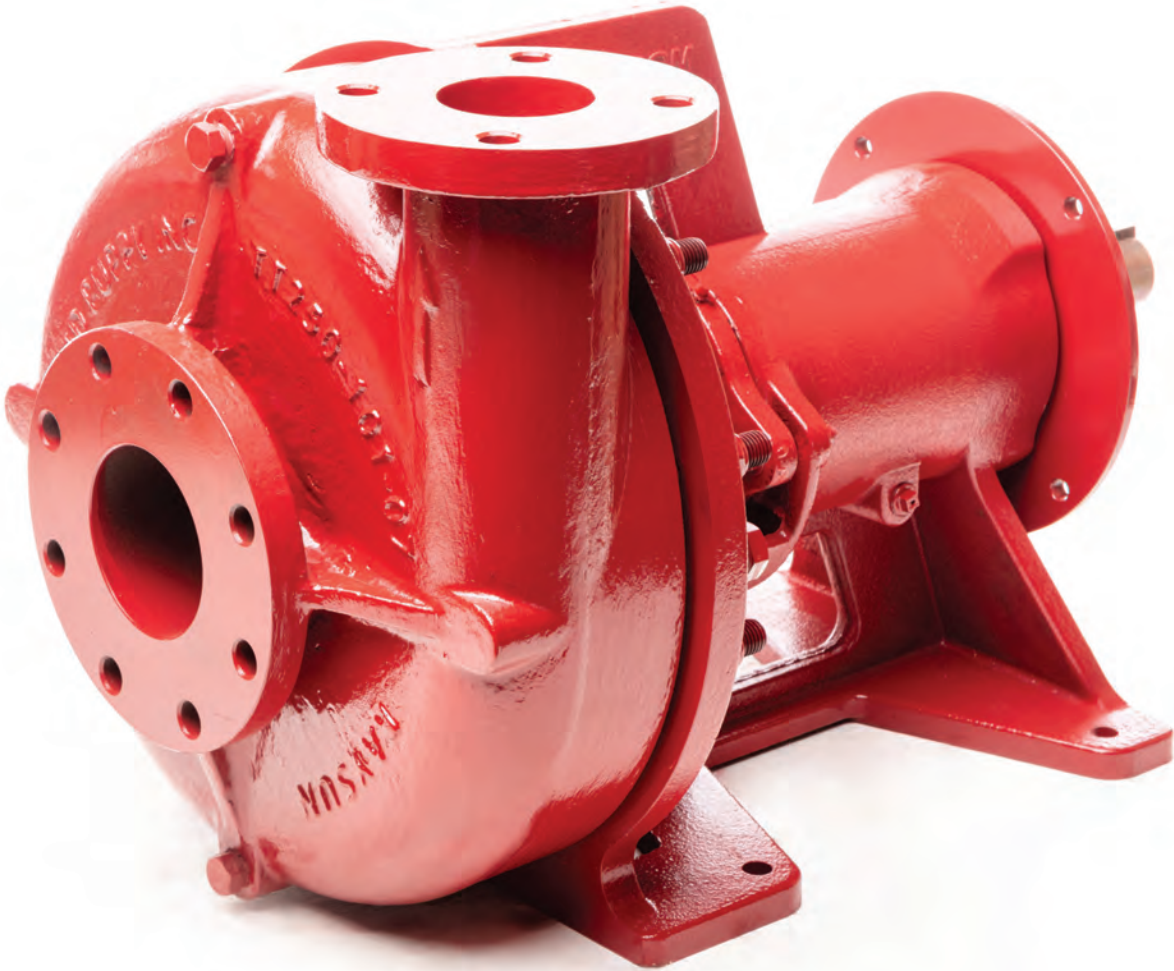




MP001081 4inch Desander Cone Assembly				
ITEM	QTY	PART NUMBER	DESCRIPTION	MATERIAL
1	1	MP001072	4 Inch, CONE BODY SECTION, DESANDER CONE	Polyurethane
2	1	MP001073	4 Inch, FEED SECTION, DESANDER CONE	Polyurethane
3	1	MP001080	4 Inch CLAMP ASM, DESANDER CONE	Aluminum-6061
4	1	MP001075	4 Inch APEX, DESANDER CONE	Polyurethane
5	1	MP001074	4 Inch, APEX HOLDER, DESANDER CONE	Polyurethane
6	1	MP001082	4 Inch CLAMP ASM, DESANDER CONE, THREADED	Aluminum-6061
7	1	MP301151	BOLT, 4375-20 X 2, GR5	Steel



PLATE 250 PUMP

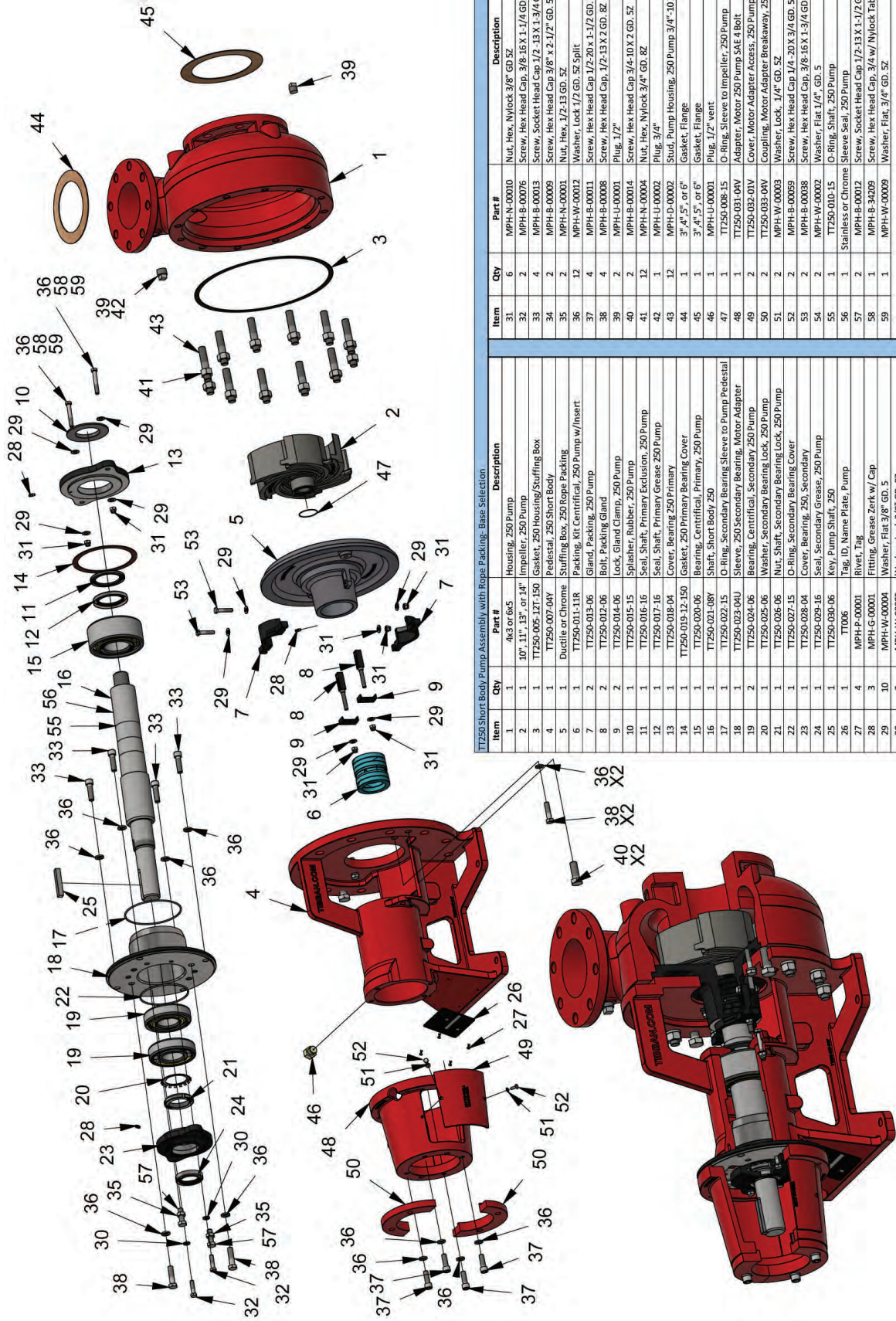




NO PLATE 250 PUMP



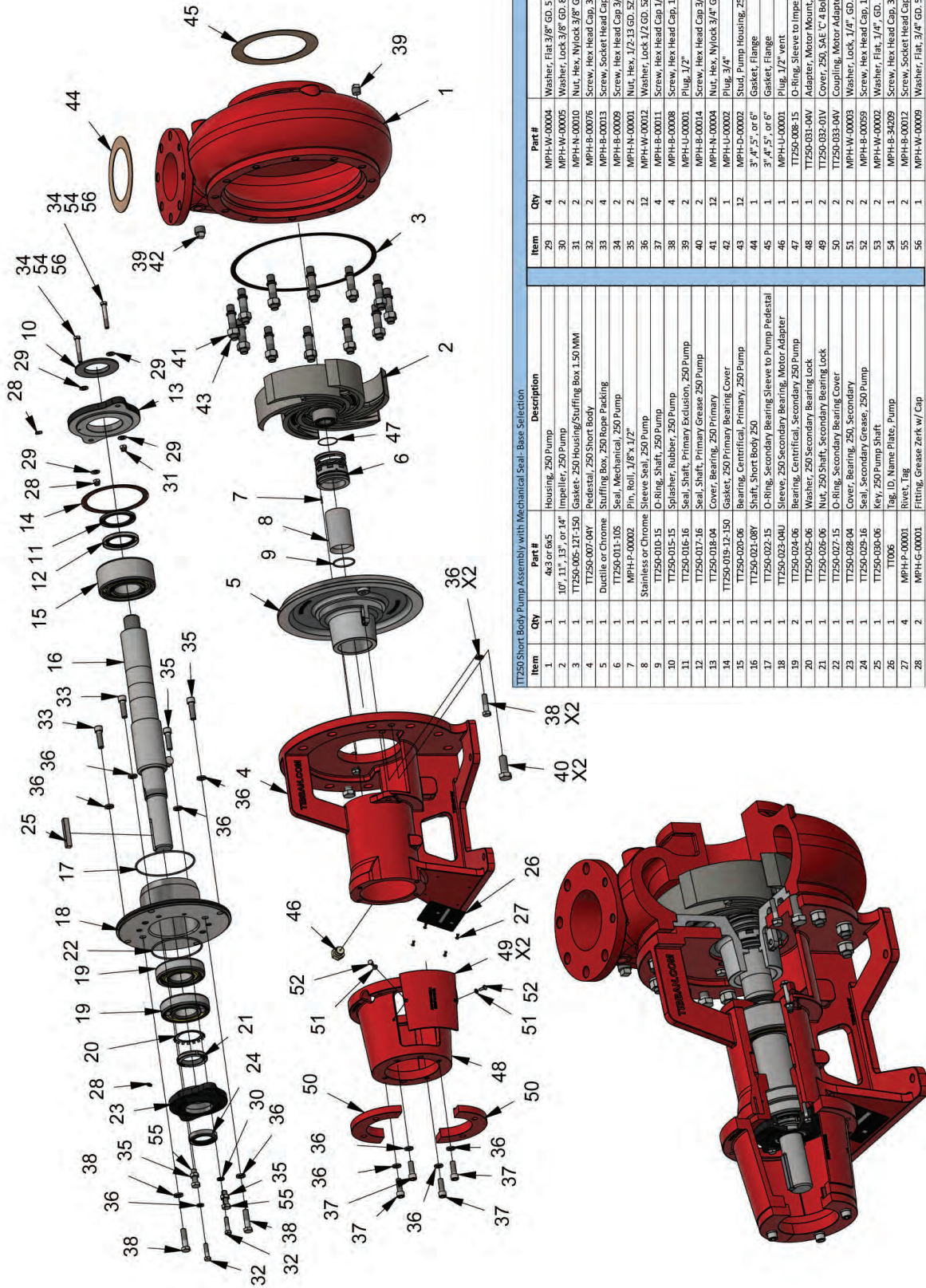
250 SHORT BODY PUMP ASSEMBLY WITH ROPE PACKING



Item	Qty	Part #	Description
1	1	Housing, 250 Pump	Housing, 250 Pump
2	1	Impeller, 250 Pump	Impeller, 250 Pump
3	1	10", 11", 13", or 14"	10", 11", 13", or 14"
4	1	TT250-005-12T-150	TT250-005-12T-150
5	1	TT250-007-04Y	TT250-007-04Y
6	1	Ductile or Chrome	Ductile or Chrome
7	2	TT250-011-11R	TT250-011-11R
8	2	TT250-013-06	TT250-013-06
9	2	TT250-014-06	TT250-014-06
10	1	TT250-015-15	TT250-015-15
11	1	TT250-016-16	TT250-016-16
12	1	TT250-017-16	TT250-017-16
13	1	TT250-018-04	TT250-018-04
14	1	TT250-019-12-150	TT250-019-12-150
15	1	TT250-020-06	TT250-020-06
16	1	TT250-021-08Y	TT250-021-08Y
17	1	TT250-022-15	TT250-022-15
18	1	TT250-023-04U	TT250-023-04U
19	2	TT250-024-06	TT250-024-06
20	1	TT250-025-06	TT250-025-06
21	1	TT250-026-06	TT250-026-06
22	1	TT250-027-15	TT250-027-15
23	1	TT250-028-04	TT250-028-04
24	1	TT250-029-16	TT250-029-16
25	1	TT250-030-06	TT250-030-06
26	1	TT006	TT006
27	4	MPH-P-00001	MPH-P-00001
28	3	MPH-G-00001	MPH-G-00001
29	10	MPH-W-00004	MPH-W-00004
30	2	MPH-W-00005	MPH-W-00005
31	1	Washer, 250 Pump	Washer, 250 Pump
32	1	Impeller, 250 Pump	Impeller, 250 Pump
33	1	Pedestal, 250 Short Body	Pedestal, 250 Short Body
34	1	Stainless or Chrome	Stainless or Chrome
35	2	TT250-001-11R	TT250-001-11R
36	12	MPH-W-00012	MPH-W-00012
37	4	MPH-E-00011	MPH-E-00011
38	4	MPH-E-00008	MPH-E-00008
39	2	MPH-L-00001	MPH-L-00001
40	2	MPH-N-00004	MPH-N-00004
41	12	MPH-N-00002	MPH-N-00002
42	1	MPH-D-00002	MPH-D-00002
43	12	MPH-U-00002	MPH-U-00002
44	1	3", 4", 5", or 6"	3", 4", 5", or 6"
45	1	MPH-U-00001	MPH-U-00001
46	1	TT250-008-15	TT250-008-15
47	1	TT250-008-15	TT250-008-15
48	1	TT250-031-04V	TT250-031-04V
49	2	TT250-032-01V	TT250-032-01V
50	2	TT250-033-00V	TT250-033-00V
51	2	MPH-W-00003	MPH-W-00003
52	2	MPH-E-00059	MPH-E-00059
53	2	MPH-W-00038	MPH-W-00038
54	2	MPH-W-00002	MPH-W-00002
55	1	TT250-010-15	TT250-010-15
56	1	Stainless or Chrome	Stainless or Chrome
57	2	MPH-B-00012	MPH-B-00012
58	1	MPH-B-34209	MPH-B-34209
59	1	MPH-W-00009	MPH-W-00009



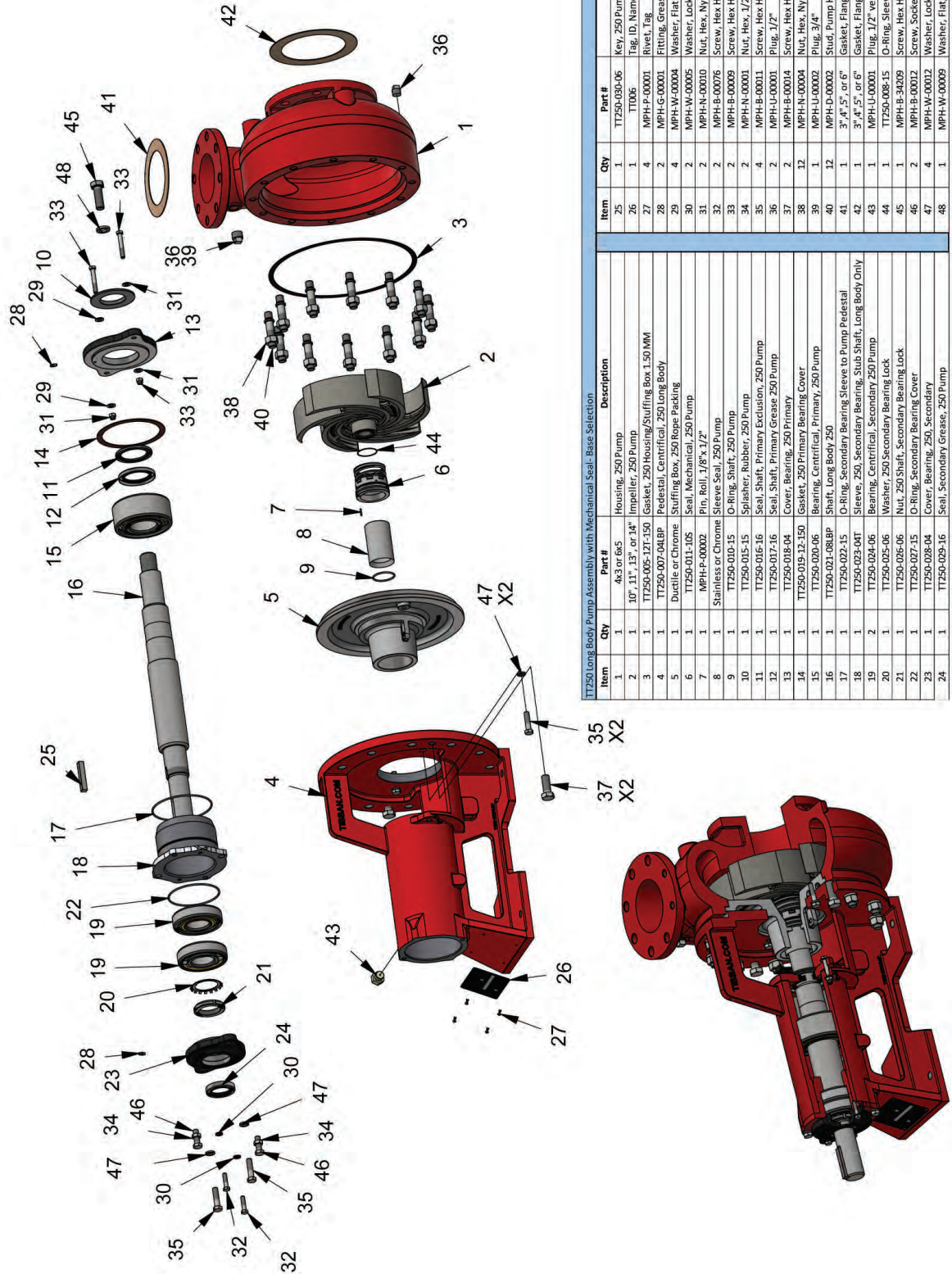
250 SHORT BODY PUMP ASSEMBLY WITH MECHANICAL SEAL



Item	Qty	Part #	Description
1	1	4x3 or 6x5	Housing, 250 Pump
2	1	10", 11", 13", or 14"	Impeller, 250 Pump
3	1	TT250-005-12-150	Gasket, 250 Housing/Stuffing Box 1.50 MM
4	1	TT250-007-08Y	pedestal, 250 Short Body
5	1	Ductile or Chrome	Stuffing Box, 250 Rope Packing
6	1	TT250-017-10S	Seal, Mechanical, 250 Pump
7	1	MPH-P-00002	Pin, Roll, 1/8" x 1/2"
8	1	Stainless or Chrome	Sleeve Seal, 250 Pump
9	1	TT250-010-15	O-Ring, Shaft, 250 Pump
10	1	TT250-015-15	Splasher, Rubber, 250 Pump
11	1	TT250-016-16	Seal, Shaft, Primary Exclusion, 250 Pump
12	1	TT250-017-16	Seal, Shaft, Primary Grease, 250 Pump
13	1	TT250-018-04	Cover, Bearing, 250 Primary
14	1	TT250-019-12-150	Gasket, 250 Primary Bearing Cover
15	1	TT250-020-06	Bearing, Centrifugal, Primary, 250 Pump
16	1	TT250-021-08Y	Shaft, Short Body, 250
17	1	TT250-022-15	O-Ring, Secondary Bearing Sleeve to Pump Pedestal
18	2	TT250-023-08U	Sleeve, 250 Secondary Bearing, Motor Adapter
19	2	TT250-024-06	Bearing, Centrifugal, Secondary, 250 Pump
20	1	TT250-025-06	Washer, 250 Secondary Bearing Lock
21	1	TT250-026-06	Nut, 250 Shaft, Secondary Bearing Lock
22	1	TT250-027-15	O-Ring, Secondary Bearing Cover
23	1	TT250-028-04	Cover, Bearing, 250, Secondary
24	1	TT250-029-16	Seal, Secondary Grease, 250 Pump
25	1	TT250-030-06	Key, 250 Pump Shaft
26	1	TT006	Tag, ID, Name Plate, Pump
27	4	MPH-P-00001	Rivet, Tag
28	2	MPH-G-00001	Fitting, Grease Zerk w/ Cap
29	4	MPH-W-00004	Washer, Flat, 3/8" GD, 5
30	2	MPH-W-00005	Washer, Lock, 3/8" GD, 8Z
31	2	MPH-N-00010	Nut, Hex, Nylon Lock 3/8" GD, SZ
32	2	MPH-B-00076	Screw, Hex Head Cap, 3/8 x 1 1/4 GD, 8Y
33	4	MPH-B-00013	Screw, Socket Head Cap, 1/2 x 1 3/4 GD, 8
34	2	MPH-B-00069	Screw, Hex Head Cap, 3/8 x 2 1/2 GD, 5
35	2	MPH-N-00011	Nut, Hex, 1/2-13 GD, SZ
36	12	MPH-W-00012	Washer, Lock 1/2 GD, SZ Split
37	4	MPH-B-00008	Screw, Hex Head Cap, 1/2-20 X 1-1/2 GD, 8
38	4	MPH-B-00008	Screw, Hex Head Cap, 1/2-13 X 2 GD, 8Z
39	2	MPH-U-00001	Plug, 1/2"
40	2	MPH-B-00014	Screw, Hex Head Cap 3/4-10 X 2 GD, SZ
41	12	MPH-N-00004	Nut, Hex, Nylon Lock 3/4" GD, 8Z
42	1	MPH-U-00002	Plug, 3/4"
43	12	MPH-D-00002	Stud, Pump Housing, 250 Pump 3/4"-10 X 3"
44	1	3", 4", 5", or 6"	Gasket, Flange
45	1	3", 4", 5", or 6"	Gasket, Flange
46	1	MPH-U-00001	Plug, 1/2" vent
47	1	TT250-030-15	O-Ring, Sleeve to Impeller, 250 Pump
48	1	TT250-031-04V	Adapter, Motor Mount, 250 Pump, SAE C x F Bolt
49	2	TT250-032-01V	Cover, 250, SAE C 4 Bolt/Motor Mount Adapter Hub Access
50	2	TT250-033-04V	Coupling, Motor Adapter/Breakaway, 250 Pump SAE 4 Bolt
51	2	MPH-W-00003	Washer, Lock, 1/4", GD, 5
52	2	MPH-B-00059	Screw, Hex Head Cap, 1/4-20 x 3/4" GD, 5
53	2	MPH-W-00002	Washer, Flat, 1/4", GD, 5
54	1	MPH-B-34009	Screw, Hex Head Cap, 3/4 w/ Nylon Tab, Impeller Bolt
55	2	MPH-W-00012	Screw, Socket Head Cap, 1/2-13 X 1-1/2 GD, 5
56	1	MPH-W-00009	Washer, Flat, 3/4", GD, SZ



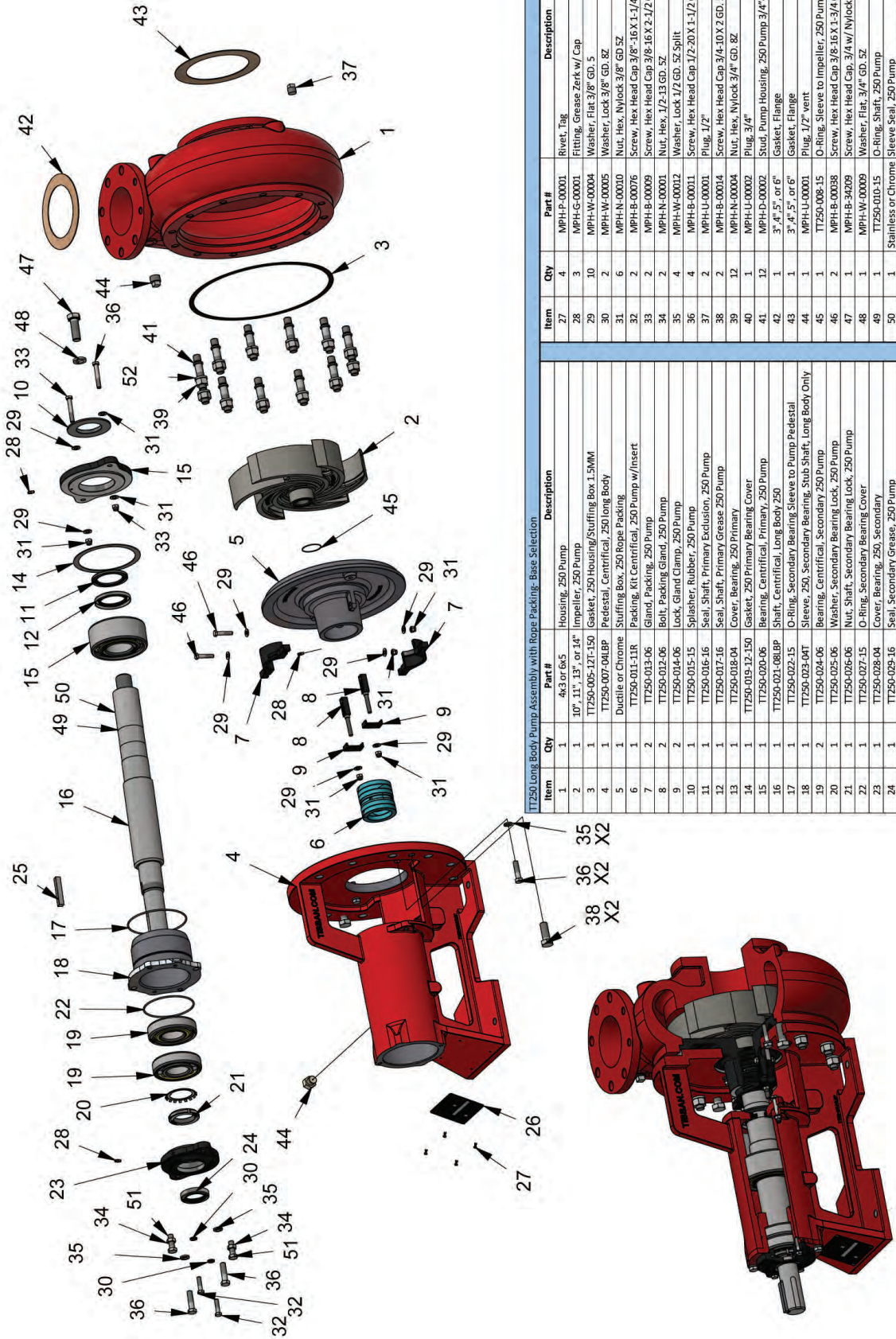
TT250 LONG BODY PUMP ASSEMBLY WITH MECHANICAL SEAL - BASE SELECTION



Item	Qty	Part #	Description
1	1	443 or 6x5	Housing, 250 Pump
2	1	10", 11", 13", or 14"	Impeller, 250 Pump
3	1	TT250-005-121-150	Gasket, 250 Housing/Stuffing Box 1.50 MM
4	1	TT250-007-041BP	Pedestal, Centrifugal, 250 Long Body
5	1	Ductile or Chrome	Stuffing Box, 250 Slope Packing
6	1	TT250-011-105	Seal, Mechanical, 250 Pump
7	1	MPH-P-00002	Pin, Roll, 1/8" X 1/2"
8	1	Stainless or Chrome	O-Ring, Shaft, 250 Pump
9	1	TT250-000-15	O-Ring, Secondary Bearing Sleeve to Pump Pedestal
10	1	TT250-002-15	Splasher, Rubber, 250 Pump
11	1	TT250-016-16	Seal, Shaft, Primary Exclusion, 250 Pump
12	1	TT250-017-16	Seal, Shaft, Primary Grease 250 Pump
13	1	TT250-018-04	Cover, Bearing, 250 Primary
14	1	TT250-019-12-150	Gasket, 250 Primary Bearing Cover
15	1	TT250-020-06	Bearing, Centrifical, Primary, 250 Pump
16	1	TT250-021-081BP	Shaft, Long Body 250
17	1	TT250-022-15	O-Ring, Secondary Bearing Sleeve to Pump Pedestal
18	1	TT250-023-04T	Sleeve, 250, Secondary Bearing Stud Shaft, Long Body Only
19	2	TT250-024-06	Bearing, Centrifical, Secondary 250 Pump
20	1	TT250-025-06	Washer, 250 Secondary Bearing Lock
21	1	TT250-026-06	Nut, 250 Shaft, Secondary Bearing Lock
22	1	TT250-027-15	O-Ring, Secondary Bearing Cover
23	1	TT250-028-04	Cover, Bearing, 250, Secondary
24	1	TT250-029-16	Seal, Secondary Grease, 250 Pump
25	1	TT250-030-06	Key, 250 Pump Shaft
26	1	TT006	Tag, ID, Name Plate, Pump
27	4	MPH-P-00001	Rivet, Tag
28	2	MPH-G-00001	Fitting, Grease Zerk w/ Cap
29	4	MPH-W-00004	Washer, Flat 3/8" GD, 5
30	2	MPH-W-00005	Washer, Lock 3/8" GD, 8Z
31	2	MPH-N-00010	Nut, Hex, Nylonlock 3/8" GD, 5Z
32	2	MPH-B-00076	Screw, Hex Head Cap 3/8-16 X 1-1/4 GD, 8Y
33	2	MPH-B-00009	Screw, Hex Head Cap 3/8-16 X 2-1/2 GD, 5Z
34	2	MPH-N-00011	Nut, Hex, 1/2-13 GD, 5Z
35	4	MPH-B-00011	Screw, Hex Head Cap 1/2-20 X 1-1/2 GD, 8
36	2	MPH-U-00001	Plug, 1/2"
37	2	MPH-B-00014	Screw, Hex Head Cap 3/4-10 X 2 GD, 5Z
38	12	MPH-U-00004	Nut, Hex, Nylonlock 3/4" GD, 8Z
39	1	MPH-U-00002	Plug, 3/4"
40	12	MPH-D-00002	Stud, Pump Housing, 250 Pump 3/4"-10 X 3"
41	1	3", 4", 5", or 6"	Gasket, Flange
42	1	3", 4", 5", or 6"	Gasket, Flange
43	1	MPH-U-00001	Plug, 1/2" vent
44	1	TT250-008-15	O-Ring, Sleeve to Impeller, 250 Pump
45	1	MPH-B-34269	Screw, Hex Head Cap, 3/4 w/ Nylonlock Tab, Impeller Bolt
46	2	MPH-B-00012	Screw, Socket Head, 1/2" x 1-1/2", GD, 5
47	4	MPH-W-00012	Washer, Lock, 1/2 GD, 5
48	1	MPH-W-00009	Washer, Flat, 3/4" GD, 5Z



TT250 LONG BODY PUMP ASSEMBLY WITH ROPE PACKING - BASE SELECTION

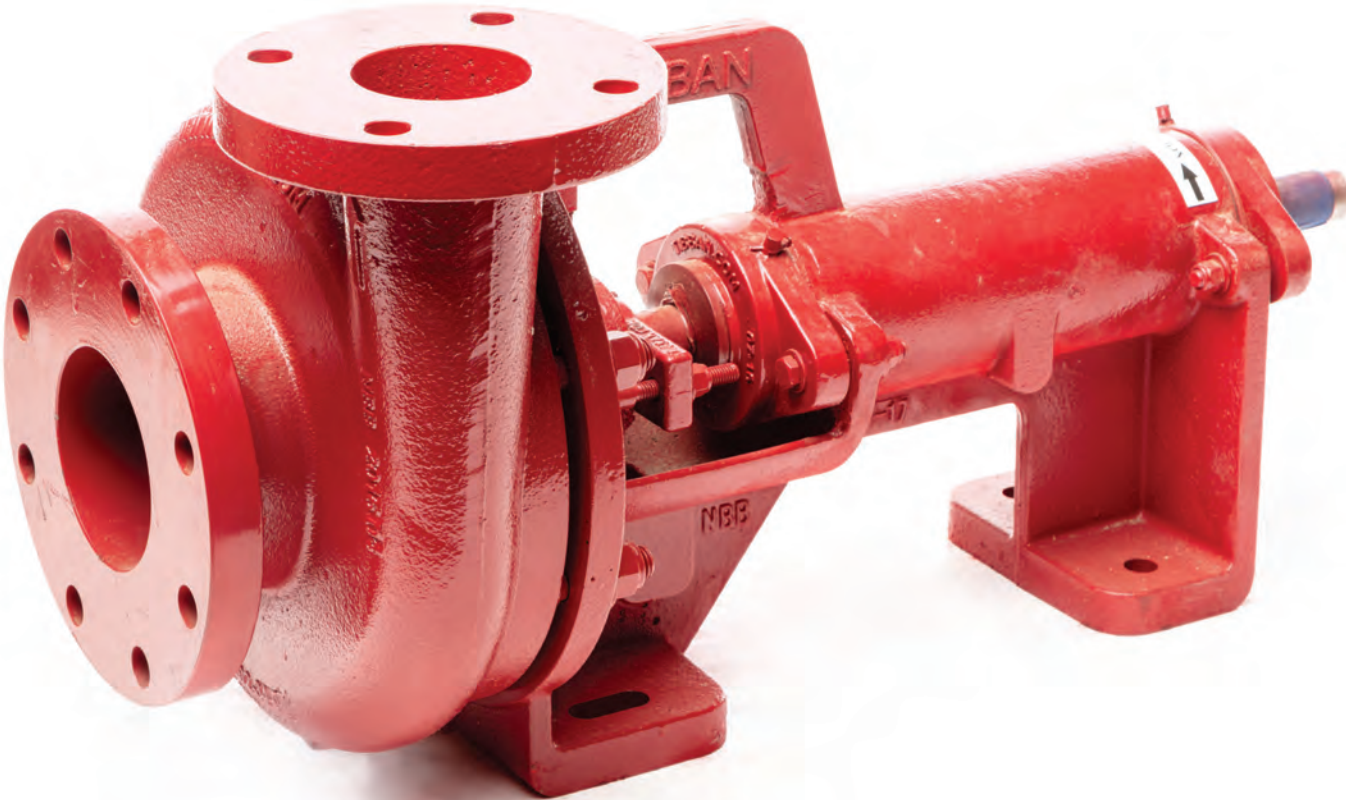


TT250 Long Body Pump Assembly with Rope Packing - Base Selection

Item	Qty	Part #	Description	Item	Qty	Part #	Description
1	1	4x3 or 6x5	Housing, 250 Pump	27	4	MPH-P-00001	Rivet, Tag
2	1	10", 11", 13", or 14"	Impeller, 250 Pump	28	3	MPH-G-00001	Fitting, Grease Zerk w/ Cap
3	1	TT250-005-12T-150	Gasket, 250 Housing/Stuffing Box 1.5MM	29	10	MPH-W-00004	Washer, Flat 3/8" GD. 5
4	1	TT250-007-04LBP	Pedestal, Centrifugal, 250 long Body	30	2	MPH-W-00005	Washer, Lock 3/8" GD. 8Z
5	1	Ductile or Chrome	Stuffing Box, 250 Rope Packing	31	6	MPH-N-00010	Nut, Hex, Nylock 3/8" GD SZ
6	1	TT250-011-11R	Packing, Kit Centrifugal, 250 Pump w/Insert	32	2	MPH-B-00076	Screw, Hex Head Cap 3/8"-16 X 1-1/4 GD. 8Y
7	2	TT250-013-06	Gland, Packing, 250 Pump	33	2	MPH-B-00009	Screw, Hex Head Cap 3/8"-16 X 2-1/2 GD. SZ
8	2	TT250-012-06	Bolt, Packing Gland, 250 Pump	34	2	MPH-N-00001	Nut, Hex, 1/2-13 GD. SZ
9	2	TT250-014-06	Lock, Gland Clamp, 250 Pump	35	4	MPH-W-00012	Washer, Lock 1/2 GD. SZ Split
10	1	TT250-015-15	Splasher, Rubber, 250 Pump	36	4	MPH-B-00001	Screw, Hex Head Cap 1/2-20 X 1-1/2 GD. 8
11	1	TT250-016-16	Seal, Shaft, Primary Exclusion, 250 Pump	37	2	MPH-U-00001	Plug, 1/2"
12	1	TT250-017-16	Seal, Shaft, Primary Grease, 250 Pump	38	2	MPH-B-00014	Screw, Hex Head Cap 3/4-10 X 2 GD. SZ
13	1	TT250-018-04	Cover, Bearing, 250 Primary	39	12	MPH-N-00004	Nut, Hex, Nylock 3/4" GD. 8Z
14	1	TT250-019-12-150	Gasket, 250 Primary Bearing Cover	40	1	MPH-U-00002	Plug, 3/4"
15	1	TT250-020-06	Bearing, Centrifugal, Primary, 250 Pump	41	12	MPH-D-00002	Stud, Pump Housing, 250 Pump 3/4"-10 X 3"
16	1	TT250-021-08LBP	Shaft, Centrifugal, Long Body 250	42	1	3"-4", 5", or 6"	Gasket, Flange
17	1	TT250-022-15	O-Ring, Secondary Bearing Sleeve to Pump Pedestal	43	1	MPH-U-00001	Gasket, Flange
18	1	TT250-023-04T	Sleeve, 250 Secondary Bearing, Stub Shaft, Long Body Only	44	1	MPH-U-00001	Plug, 1/2" vent
19	2	TT250-024-06	Bearing, Centrifugal, Secondary 250 Pump	45	1	TT250-008-15	O-Ring, Sleeve to Impeller, 250 Pump
20	2	TT250-025-06	Washer, Secondary Bearing Lock, 250 Pump	46	2	MPH-B-00038	Screw, Hex Head Cap 3/8-16 X 1-3/4 GD. 5
21	1	TT250-026-06	Nut, Shaft, Secondary Bearing Lock, 250 Pump	47	1	MPH-B-94209	Screw, Hex Head Cap 3/4 w/ Nylock Tab, Impeller Bolt
22	1	TT250-027-15	O-Ring, Secondary Bearing Cover	48	1	MPH-W-00009	Washer, Flat, 3/4" GD. SZ
23	1	TT250-028-04	Cover, Bearing, 250, Secondary	49	1	TT250-010-15	O-Ring, Shaft, 250 Pump
24	1	TT250-029-16	Seal, Secondary Grease, 250 Pump	50	1	Stainless or Chrome	Sleeve Seal, 250 Pump
25	1	TT250-030-06	Key, Pump Shaft, 250	51	2	MPH-B-00012	Screw, Socket Head Cap 1/2-13 X 1-1/2 GD. 5
26	1	TT006	Tag, ID, Name Plate, Pump				

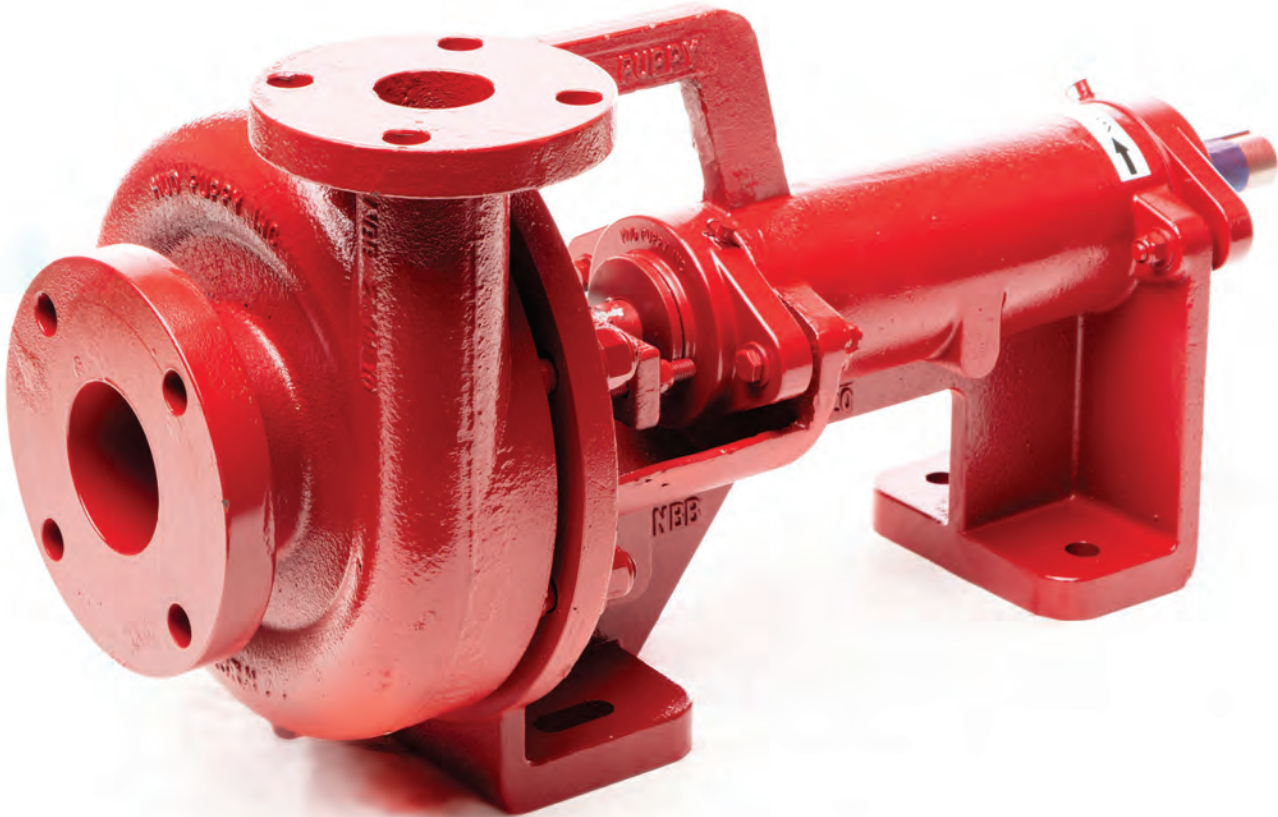


MUD PUPPY 118 PUMP 4X3



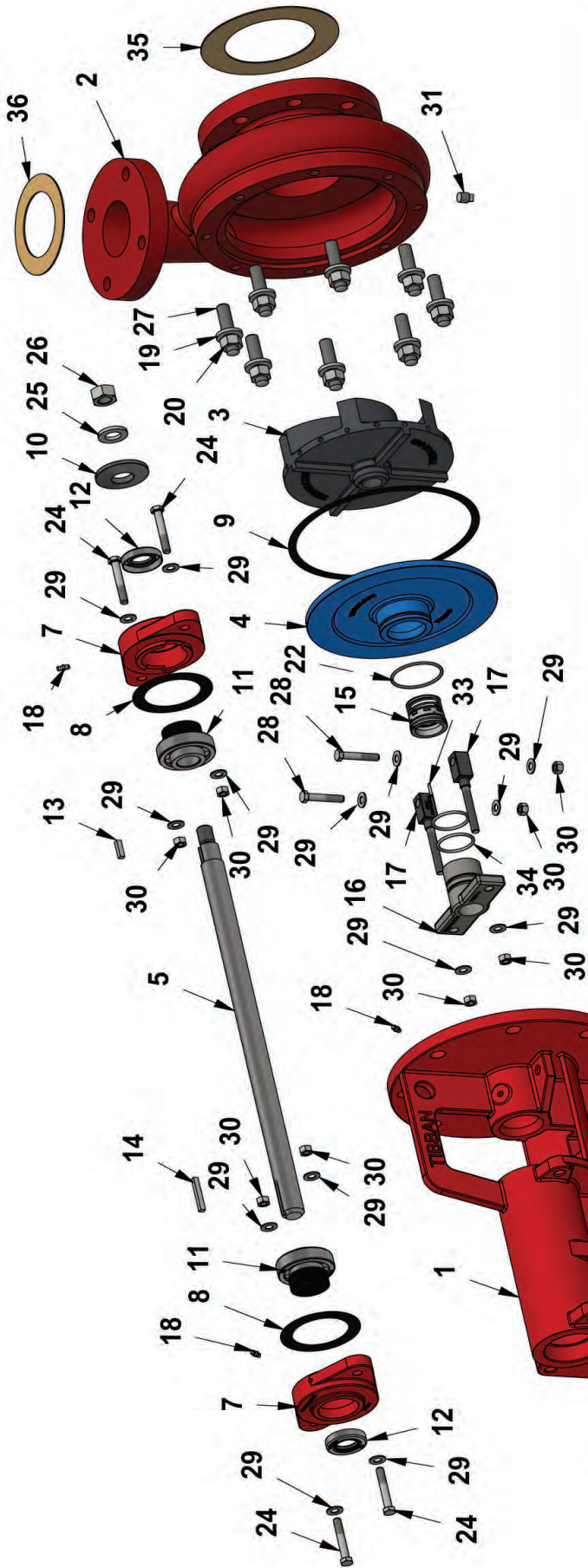


MUD PUPPY 118 PUMP 2X3



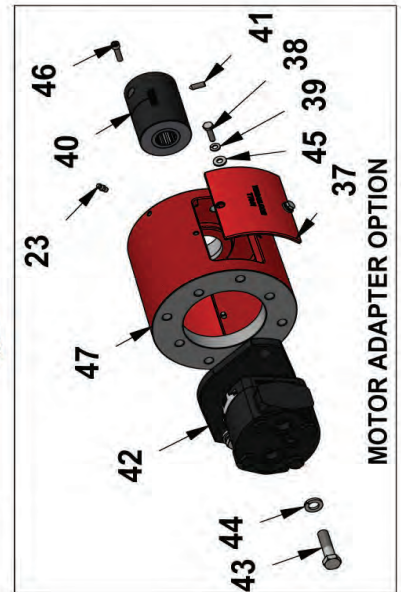


TT118 PUMP ASSEMBLY WITH MECHANICAL SEAL AND OPTION



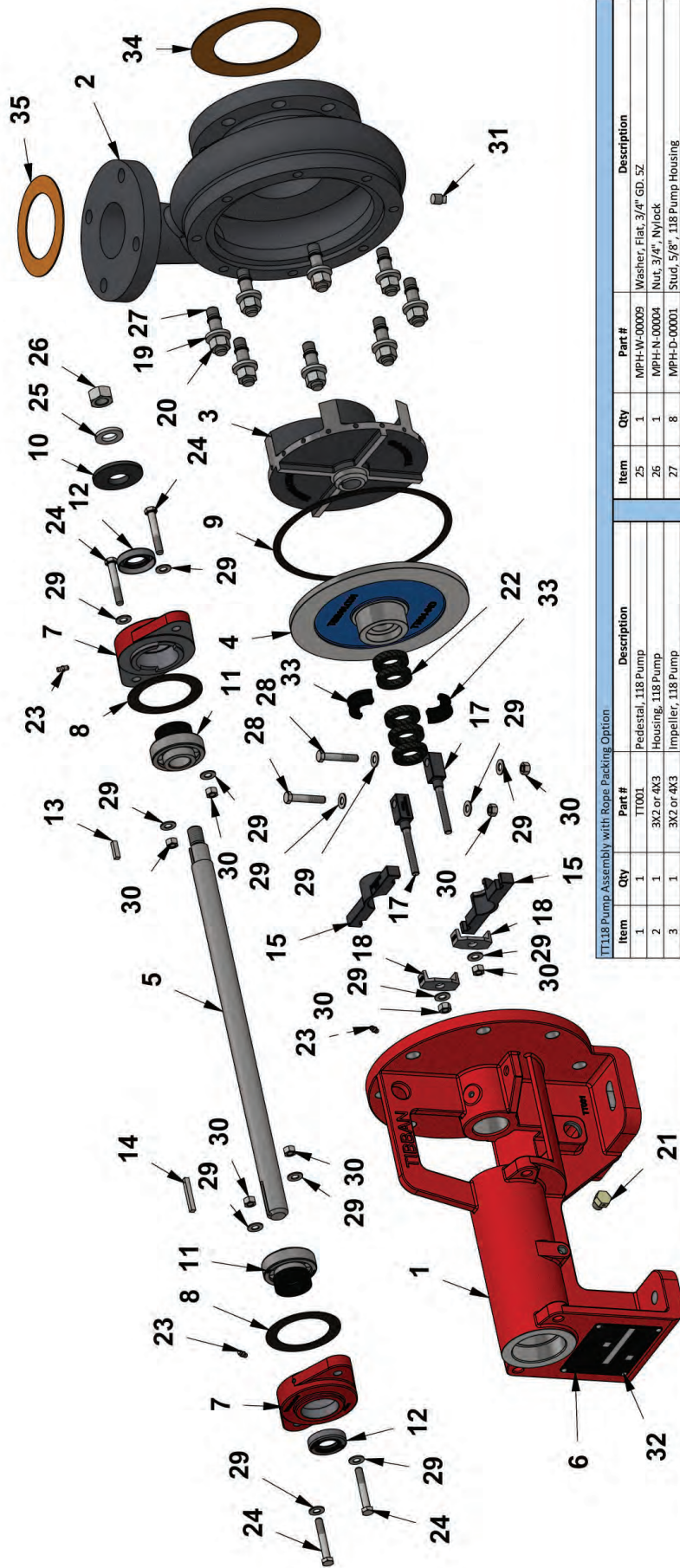
TT118 Pump Assembly with Mechanical Seal and Option

Item	Qty	Part #	Description
1	1	TT001	Pedestal, 118 Pump
2	1	3X2 or 4X3	Cap, Bearing, 118 Pump
3	1	3X2 or 4X3	Impeller, 118 Pump
4	1		Ductile or Chrome Stuffing Box, 118 Pump Rope Packing
5	1	TT005	Shaft, 118 Pump
6	1	TT006	Tag, ID, Namp Plate Pump Aluminum
7	2	TT009	Cap, Bearing, 118 Pump
8	2	TT012-150	Gasket, 118 Bearing Cap
9	1	TT013	Gasket, 118 Housing
10	1	TT014	Splasher, 118 Pump, Rubber
11	2	TT016	Bearing Assembly 118 Pump/Includes Collar
12	2	TT017	Seal, 118 Pump, for Grease Cover
13	1	TT019	Key, Impeller, 118 Pump
14	1	TT020	Key, Shaft to Coupling, 118 Pump
15	1	TT021	Seal, Mechanical, 118
16	1	TT054	Sleeve, Mechanical Seal, 118 Pump
17	2	TT008	Bolt, Gland for Clamps, 118 Pump
18	1	TT099	Plug, 1/8" (Drain)
19	8	MPH-W-00016	Washer, 5/8", Flat
20	8	MPH-N-00013	Nut, 5/8", Nylock
21	1	TT043	Plug, 1/4" (118 Pump Vent)
22	1	MPH-R-00002	O-Ring, Wear Plate, 118 Mechanical Seal
23	3	MPH-G-00001	Grease, Zerk W/Cap
24	4	MPH-B-00009	Bolt, 3/8" X 2-1/2"
25	1	MPH-W-00009	Washer, Flat, 3/4" GD, SZ
26	1	MPH-N-00004	Nut, 3/4", Nylock
27	8	MPH-D-00001	Stud, 5/8", 118 Pump Housing
28	2	MPH-B-00007	Bolt, 3/8" X 2"
29	14	MPH-W-00004	Washer, 3/8", Flat
30	8	MPH-N-00010	Nut, 3/8", Nylock
31	1	MPH-U-00003	Plug, Drain 1/4"
32	4	MPH-P-00001	Rivet, Tag
33	2	MPH-P-00002	Pin
34	2	MPH-R-00001	O-Ring, Mechanical Seal Holder, 118 Pump
35	1	3X2 or 4X3	Gasket, Flange
36	1	TT041	Cover Plate, Adapter Hydraulic Motor 118 Pump
37	2	TT041	Screw, Hex Head, 1/4"-20 X 5/8" GD, S
38	4	MPH-W-00003	Washer, 1/4" Lock
39	4	MPH-B-00015	Bolt, 1/2" X 2"
40	1	MP-U322-00006	Coupling, 118 Pump, SAE "B" Spline X 1.125" Dia. Shaft
41	1	MPH-S-00018	Screw, 1/4" Set
42	1	SG001001	Motor, Hydraulic, 23CC, 1.4 CID, for 3 x 2
43	2	SG001005	Motor, Hydraulic, 29cc 1.77 CID, for 4 x 3
44	2	MPH-B-00008	Bolt, 1/2" X 2"
45	4	MPH-W-00012	Washer, Flat, 1/4"
46	1	MPH-S-00016	Screw, 1/4" Socket Head Cap
47	1	TT040	Adapter, Hydraulic Motor 118 Pump 2 Bolt SAE "B" Mount



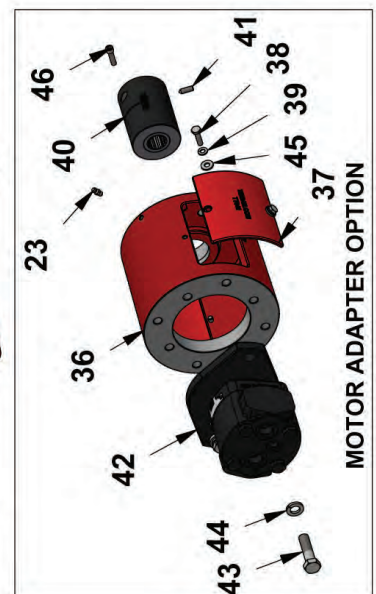


TT118 PUMP ASSEMBLY WITH ROPE PACKING AND OPTION



TT118 Pump Assembly with Rope Packing Option

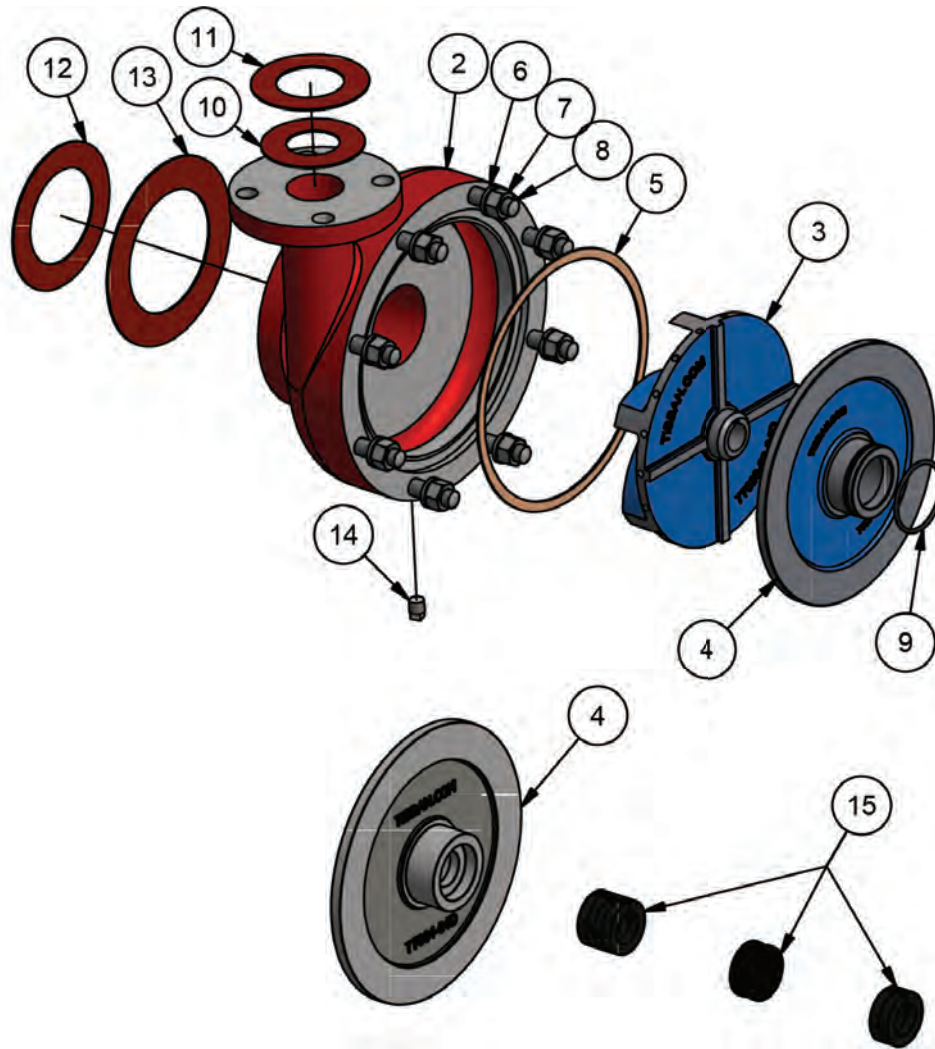
Item	Qty	Part #	Description
1	1	TT001	Pedestal, 118 Pump
2	1	3X2 or 4X3	Housing, 118 Pump
3	1	3X2 or 4X3	Impeller, 118 Pump
4	1	Ductile or Chrome	Stuffing Box, 118 Pump Rope Packing
5	1	TT005	Shaft, 118 Pump
6	1	TT009	Cap, Bearing, 118 Pump
7	2	TT012-150	Gasket, 118 Bearing Cap
8	1	TT013	Gasket, 118 Housing
9	1	TT014	Splasher, 118 Pump, Rubber
10	1	TT016	Bearing Assembly 118 Pump/Includes Collar
11	2	TT017	Key, Impeller, 118 Pump
12	2	TT019	Key, Shaft to Coupling, 118 Pump
13	1	TT020	Clamp, Gland 118 Pump for Rope
14	1	TT007	Bolt, Gland for Clamps, 118 Pump
15	2	TT015	Lock, Gland Clamp, 118 Pump
16	2	MPH-W-00016	Washer, 5/8", Flat
17	2	MPH-N-00013	Nut, 5/8", Nylon
18	1	TT043	Plug, 1/4" (118 Pump Vent)
19	2	TT018RA	Packing, Rope, 118 Kevlar
20	2	MPH-G-00001	Grease, Zerck W/Cap
21	4	MPH-B-00009	Bolt, 3/8" X 2-1/2"
22	4	MPH-W-00009	Washer, Flat, 3/4" GD, SZ
23	1	MPH-N-00004	Nut, 3/4", Nylon
24	1	MPH-D-00001	Stud, 5/8", 118 Pump Housing
25	8	MPH-B-00007	Bolt, 3/8" X 2"
26	2	MPH-W-00004	Washer, 3/8" FLAT
27	8	MPH-N-00010	Nut, 3/8", Nylon
28	1	MPH-U-00003	Plug, Drain 1/4"
29	4	MPH-P-00001	Rivet, Tag
30	2	TT010	Divider, 118 Pump Packing, Plastic
31	1	3X2 or 4X3	Gasket, Flange
32	1	TT040	Adapter, Hydraulic Motor 118 Pump 2 Bolt SAE "B" Mount
33	1	TT041	Cover Plate, Adapter Hydraulic Motor 118 Pump
34	4	MPH-B-00015	Screw, Hex Head, 1/4", 20 X 5/8" GD, 5
35	4	MPH-W-00003	Washer, 1/4" Lock
36	1	MP-U322-00006	Coupling, 118 Pump, SAE "B" Spline X 1.125" Dia, Shaft
37	1	MPH-S-00018	Screw, 1/4" set
38	1	SG001001	Motor, Hydraulic, 23CC, 1.4 CID, for 3 X 2
39	2	SG001005	Motor, Hydraulic, 29cc 1.77 CID, for 4 X 3
40	2	MPH-W-00012	Bolt, 1/2" X 2"
41	2	MPH-W-00002	Washer, 1/2" Lock
42	4	MPH-W-00002	Washer, Flat, 1/4"
43	1	MPH-S-00016	Screw, 1/4" Socket Head Cap



MOTOR ADAPTER OPTION



118 WET END



118 Pump Wet End Selection				
Item	Qty	Part #	Description	
Standard Pump Wet End Selection				
5	1	TT013	118 Housing Gasket	PTFEa1550
6	8	MPH-W-00010	Washer, Lock, 5/8"	Steel
7	8	MPH-N-00005	Hex Nut, 5/8"	Steel
8	8	MPH-D-00001	Stud, 5/8"	Steel
9@	1	MPH-R-00002	O-Ring	Buna-n
10	1	TT046	1 1/2" Flange Gasket	PTFEa1550
11	1	TT047	2" Flange Gasket	PTFEa1550
12	1	TT048	3" Flange Gasket	PTFEa1550
13	1	TT049	4" Flange Gasket	PTFEa1550
14	1	MPH-U-00003	Drain Plug, 1/4"	Steel

2 X 3 Housing and Impeller Selection - Standard or Hardened

Standard Option

2	1	TT002-23-04D	118 Pump - 2 X 3 Housing	Ductile Iron
3	1	TT003-23-04D	118 Pump - RH 2 X 3 Impeller	Ductile Iron

Hardened Option

2	1	TT002-23-07	118 Pump - 2 X 3 Housing	CR26 58HRC
3	1	TT003-23-07	118 Pump - RH 2 X 3 Impeller	CR26 58HRC

3 X 4 Housing and Impeller Selection - Standard or Hardened

Standard

2	1	TT002-34-04D	118 Pump - 3 X 4 Housing	Ductile Iron
3	1	TT003-34-04D	118 Pump - RH 3 X 4 Impeller	Ductile Iron

Hardened Option

2	1	TT002-34-07	118 Pump - 3 X 4 Housing	CR26 58HRC
3	1	TT003-34-07	118 Pump - RH 3 X 4 Impeller	CR26 58HRC

Seal Selection - Rope Packing or Mechanical

Rope Packing Seal Option - Standard or Hardened Option

4#	1	TT004-04D	118 Pump - Rope Packing Seal Wear Plate	Ductile Iron
4#	1	TT004-07	118 Pump - Rope Packing Seal Wear Plate	CR26 58HRC
15	1	TT018	118 Rope Packing Kit	Plastic and Graphite Yarn

Mechanical Seal Option - Standard or Hardened Option

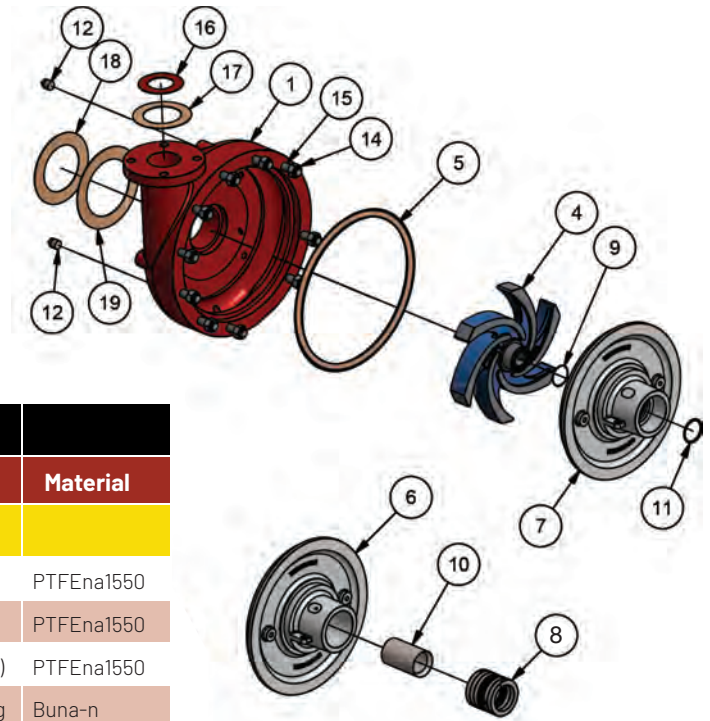
4@	1	TT004-S	118 Pump - Mechanical Seal Wear Plate	Ductile Iron
4@	1	TT004-S7	118 Pump - Mechanical Seal Wear Plate	CR26 58HRC

Mechanical Seal Option - Standard or Hardened Option

#	Used on Pumps Equipped with Rope Packing Seal Option Only			
@	Used on Pumps Equipped with Mechanical Seal Option Only			



250 WET END



250 Pump Wet End Selection				
Item	Qty	Part #	Description	Material
2	1	TT250-002-12CD-150	Housing Wear Plate Gasket	PTFE _{na} 1550
5	1	TT250-005-12T-150	Stuffing Box Gasket	PTFE _{na} 1550
5	1	TT250-005-12T	Stuffing Box Gasket (Optional)	PTFE _{na} 1550
9	1	TT250-008-15	Impeller to Seal Sleeve O-Ring	Buna-n
11	1	TT250-010-15	Seal Sleeve to Shaft O-Ring	Buna-n
12	2	MPH-U-00001	Square Head Pipe Plug, 1/2"	Steel
14	12	MPH-N-00004	Nylon Lock Nut, 3/4"	Steel
15	12	MPH-D-00002	Stud, 3/4"	Steel
16	1	TT047	3" Flange Gasket	PTFE _{na} 1550
17	1	TT048	5" Flange Gasket	PTFE _{na} 1550
18	1	TT049	4" Flange Gasket	PTFE _{na} 1550
19	1	TT250-061	6" Flange Gasket	PTFE _{na} 1550

3 X 4 Housing, Wear Plate and Impeller Selection - Standard or Hardened

Standard Option

1	1	TT250-001-04	250 Pump RH - 3 X 4 Housing	Ductile Iron
3	1	TT250-003-04	250 Pump - 3 X 4 Wear Plate	Ductile Iron
4	1	TT250-004-04	250 Pump RH - 3 X 4 X 13 Impeller	Ductile Iron

Hardened Option

1	1	TT250-001-07	250 Pump RH - 3 X 4 Housing	CR26 58HRC
3	1	TT250-003-07	250 Pump - 3 X 4 Wear Plate	CR26 58HRC
4	1	TT250-004-07	250 Pump RH - 3 X 4 X 13 Impeller	CR26 58HRC

6x5x11 Housing, wear Plate and impeller selection - Standard or Hardened

Standard Option

1	1	TT250-054-04	250 Pump RH - 5x6x11 Housing	Ductile Iron
3	1	TT250-003-04	250 Pump - Wear Plate	Ductile Iron
4	1	TT250-055-04-11	250 Pump RH - 5x6x11 Impeller	Ductile Iron

Hardened Option

1	1	TT250-054-07	250 Pump RH - 5x6x11 Housing	CR26 58HRC
3	1	TT250-003-04	250 Pump - Wear Plate	CR26 58HRC
4	1	TT250-055-07-11	250 Pump RH - 5x6x11 Impeller	CR26 58HRC
4	1	TT250-055-07-10	250 Pump RH - 5x6x10 Impeller	CR26 58HRC

6x5x14 Housing, wear Plate and impeller selection - Standard or Hardened

Standard Option

1	1	TT250-056-04	250 Pump RH - 5x6x14 Housing	Ductile Iron
3	1	TT250-003-04	250 Pump - Wear Plate	Ductile Iron
4	1	TT250-057-04	250 Pump RH - 5x6x14 Impeller	Ductile Iron

Hardened Option

1	1	TT250056-07	250 Pump RH - 5x6x14 Housing	CR26 58HRC
3	1	TT250-003-04	250 Pump - Wear Plate	CR26 58HRC
4	1	TT250-057-07	250 Pump RH - 5x6x14 Impeller	CR26 58HRC

Seal Selection - Rope Packing or Mechanical

Rope Packing Seal Option - Standard or Hardened Option

6#	1	TT250-006-04R	250 Pump Rope Packing Stuffing Box	Ductile Iron
6#	1	TT250-006-07R	250 Pump Rope Packing Stuffing Box	CR26 58HRC
10#	1	TT250-009-08	Seal Sleeve	Stainless Steel
8#	1	TT250-011-11R	250 Pump Rope Packing Kit	Graphite Yarn and Plastic

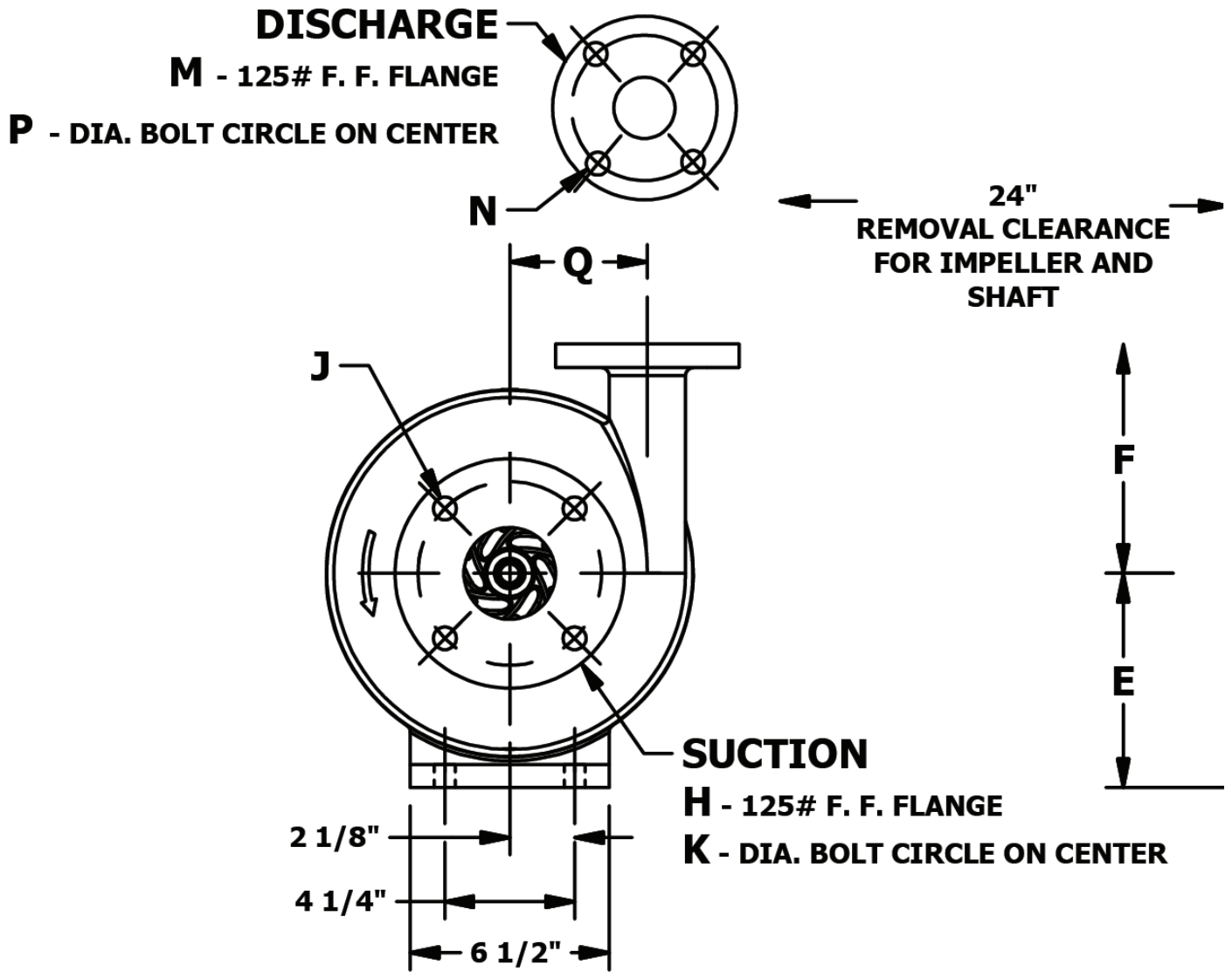
Rope Packing Seal Option - Standard or Hardened Option

7@	1	TT250-006-04S	250 Pump Mechanical Seal Stuffing Box	Ductile Iron
7@	1	TT250-006-07S	250 Pump Mechanical Seal Stuffing Box	CR26 58HRC

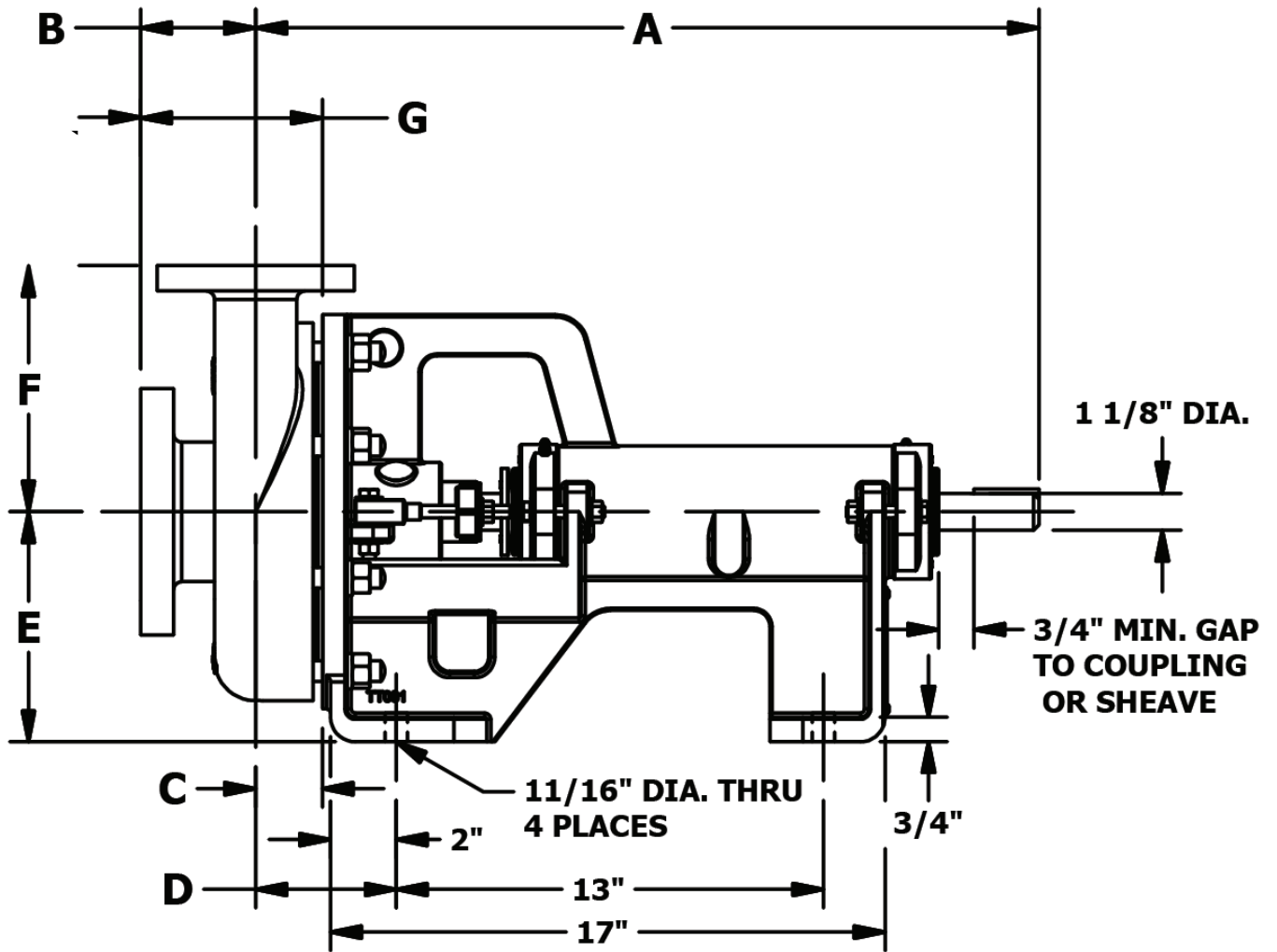
Seal Selection - Rope Packing or Mechanical

#	Used on Pumps Equipped with Rope Packing Seal Option Only			
@	Used on Pumps Equipped with Mechanical Seal Option Only			

118 DISCHARGE AND STUB SHAFT



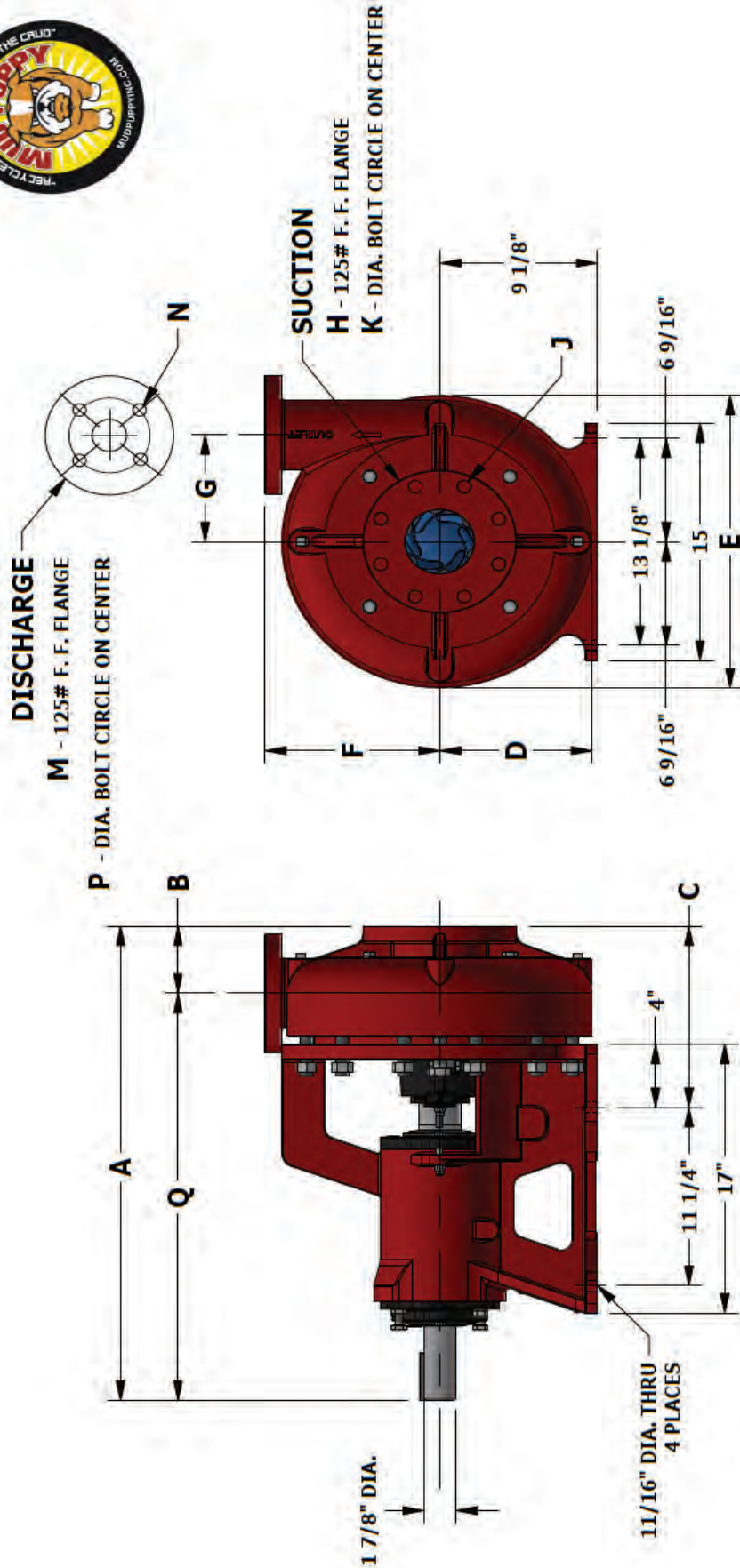
118 PUMP SIZE	A	B	C	D	E	F
1 1/2" X 2"	23 5/8"	3"	1 5/8"	3 7/8"	7 3/16"	7 1/2"
2" X 3"	23 5/8"	3 1/2"	1 3/4"	4"	7 3/16"	7 1/2"
3" X 4"	24 1/32"	4 1/8"	2 1/8"	4 3/8"	7 3/16"	8"



118 PUMP SIZE	G	H	J	K	M	N	P	Q
1 1/2" X 2"	4 5/8"	2"	3/4" DIA - 4 PLACES	3 7/8"	1 1/2"	5/8" DIA - 4 PLACES	3 7/8"	4 3/4"
2" X 3"	5 1/4"	3"	3/4" DIA - 4 PLACES	4 3/4"	2"	3/4" DIA - 4 PLACES	4 3/4"	4 1/2"
3" X 4"	6 1/4"	4"	3/4" DIA - 8 PLACES	6"	3"	3/4" DIA - 4 PLACES	6"	5"



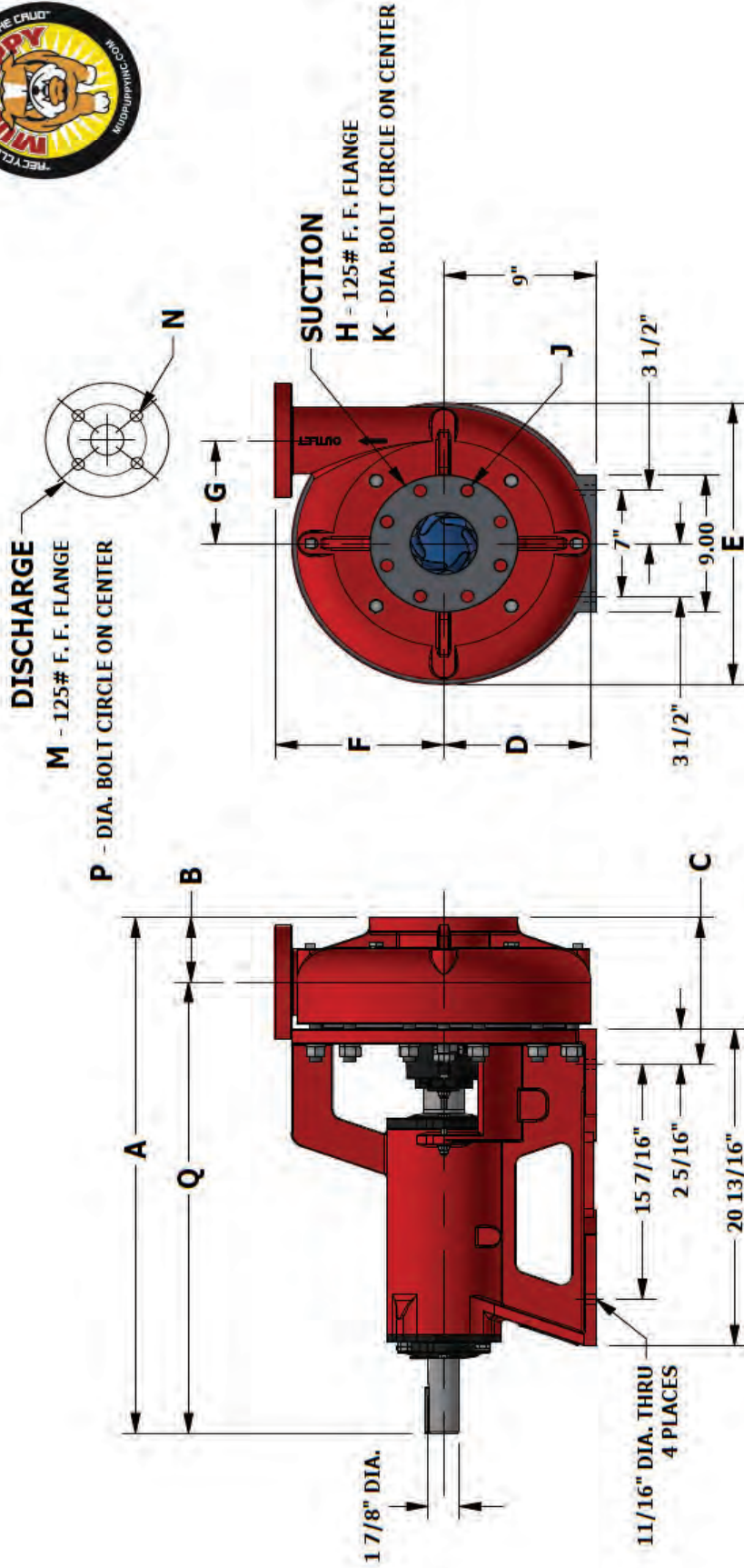
250 PUMP STUB SHAFT SHORT BODY



250 PUMP SIZE - SHORT	A	B	C	D	E	F	G	H	J	K	M	N	P	Q
2" X 3"	28 13/16"	3 3/4"	10 7/16"	8 15/16"	17 7/8"	10 1/4"	7"	3"	3/4" DIA - 4 PLACES	6"	2"	3/4" DIA - 4 PLACES	4 3/4"	25 1/16"
3" X 4"	29 7/16"	4 1/4"	11 1/16"	8 15/16"	17 7/8"	10 1/4"	6 3/4"	4"	3/4" DIA - 8 PLACES	7 1/2"	3"	3/4" DIA - 4 PLACES	6"	25 1/8"
4" X 5"	30 13/16"	5"	12 7/16"	9 1/2"	19"	11"	6 1/8"	5"	7/8" DIA - 8 PLACES	8 1/2"	4"	3/4" DIA - 8 PLACES	7 1/2"	25 13/16"
5" X 6" X 11"	32 9/16"	5 3/4"	14"	9 1/4"	17 13/16"	11"	6"	6"	7/8" DIA - 8 PLACES	9 1/2"	5"	7/8" DIA - 8 PLACES	8 1/2"	26 13/16"
5" X 6" X 14"	32 9/16"	5 3/4"	14"	10 1/2"	21"	11"	6"	6"	7/8" DIA - 8 PLACES	9 1/2"	5"	7/8" DIA - 8 PLACES	8 1/2"	26 13/16"

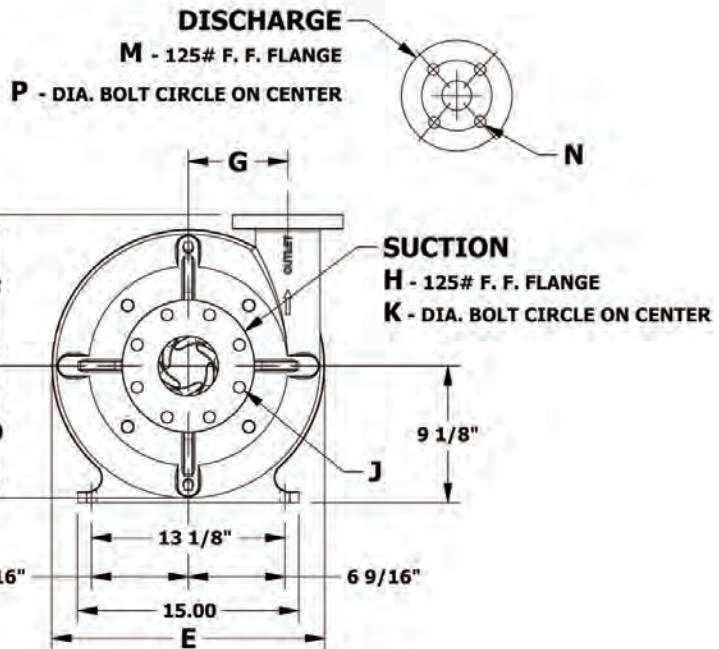
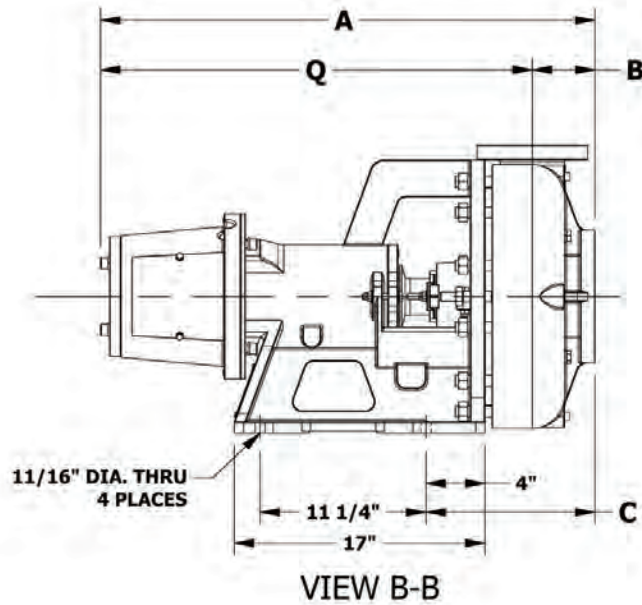


250 PUMP STUB SHAFT LONG BODY



250 PUMP SIZE - LONG	A	B	C	D	E	F	G	H	J	K	M	N	P	Q
2" X 3"	33"	3 3/4"	8 3/4"	9"	17 7/8"	10 1/4"	7"	3"	3/4" DIA - 4 PLACES	6"	2"	3/4" DIA - 4 PLACES	4 3/4"	29 1/4"
3" X 4"	33 5/8"	4 1/4"	9 3/8"	9"	17 7/8"	10 1/4"	6 3/4"	4"	3/4" DIA - 8 PLACES	7 1/2"	3"	3/4" DIA - 4 PLACES	6"	29 3/8"
4" X 5"	35"	5"	10 3/4"	9"	19 3/8"	11"	6 1/8"	5"	7/8" DIA - 8 PLACES	8 1/2"	4"	3/4" DIA - 8 PLACES	7 1/2"	30"
5" X 6" X 11"	36 3/8"	5 3/4"	12 5/16"	9 1/4"	17 13/16"	11"	6"	6"	7/8" DIA - 8 PLACES	9 1/2"	5"	7/8" DIA - 4 PLACES	8 1/2"	30 5/8"
5" X 6" X 14"	36 3/8"	5 3/4"	12 5/16"	10 1/2"	21"	11"	6"	6"	7/8" DIA - 8 PLACES	9 1/2"	5"	7/8" DIA - 8 PLACES	8 1/2"	30 5/8"

250 MOTOR ADAPTER

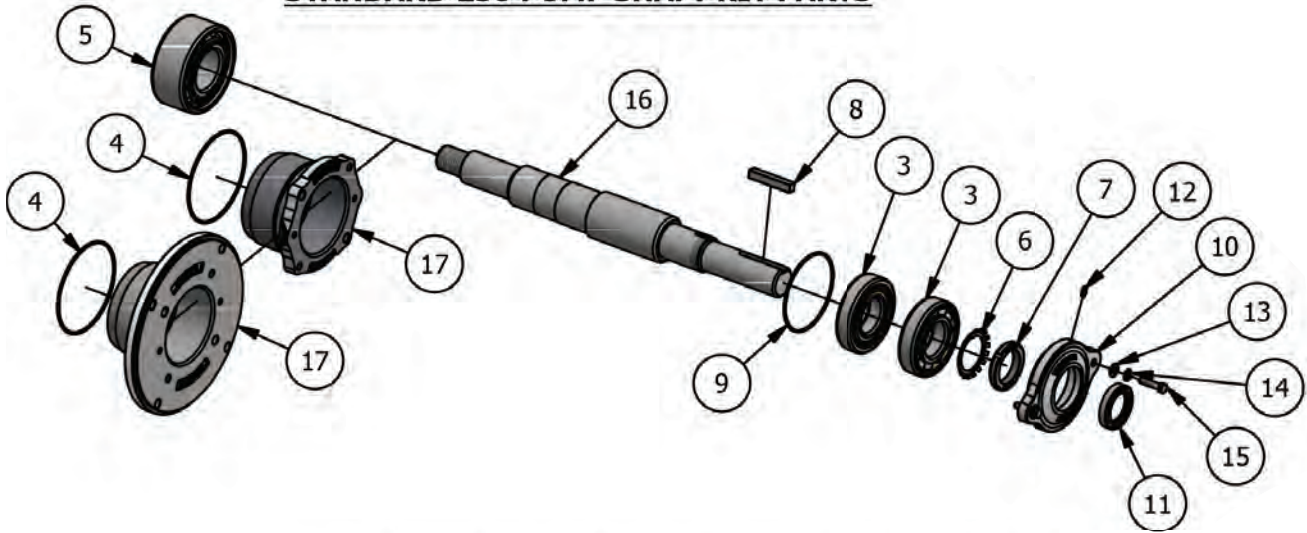


250 PUMP SIZE	A	B	C	D	E	F	G	H	J	K	M	N	P	Q
2" X 3"	33 5/8"	3 3/4"	10 7/16"	8 15/16"	17 7/8"	10 1/4"	7"	3"	3/4" DIA - 4 PLACES	6"	2"	3/4" DIA - 4 PLACES	4 3/4"	29 7/8"
3" X 4"	34 1/4"	4 1/4"	11 1/16"	8 15/16"	17 7/8"	10 1/4"	6 3/4"	4"	3/4" DIA - 8 PLACES	7 1/2"	3"	3/4" DIA - 4 PLACES	6"	29 15/16"
4" X 5"	35 1/2"	5"	12 7/16"	9 1/2"	19"	11"	6 1/8"	5"	7/8" DIA - 8 PLACES	8 1/2"	4"	3/4" DIA - 8 PLACES	7 1/2"	30 5/8"

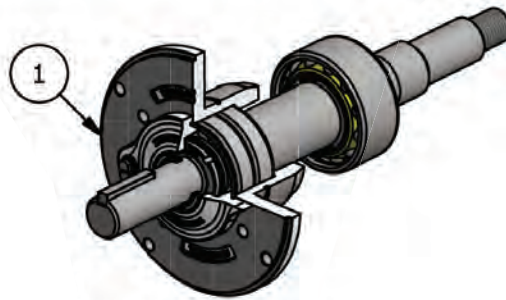
250 PUMP SHAFT KITS

250 Pump Shaft Kit				
Item	Qty	Part Number	Description	Material
Standard Shaft Complete Kit Selection (Secondary Bearing Sleeve Motor Mount Adapter)				
1	1	TT250-021-08Y-SBA	250 Pump Motor Mount Shaft Kit Short Body	
1	1	TT250-021-08LBP-SBA	250 Pump Motor Mount Shaft Kit Long Body	
Standard Shaft Complete Kit Selection (Secondary Bearing Sleeve)				
2	1	TT250-021-08Y-SBS	250 Pump Stub Shaft Kit Short Body	
2	1	TT250-021-08LBP-SBS	250 Pump Stub Shaft Kit Long Body	
Standard Part Selection				
3	2	TT250-024-06	Pump Secondary Bearing	Stainless Steel
4	1	TT250-022-15	O-Ring, Pump Pedestal to Secondary Bearing Sleeve	Buna-n
5	1	TT250-020-06	Pump Primary Bearing	Stainless Steel
6	1	TT250-025-06	Pump Secondary Bearing Lock Washer	Stainless Steel
7	1	TT250-026-06	Secondary Bearing Lock Nut	Stainless Steel
8	1	TT250-030-06	Shaft Key	Steel
9	1	TT250-027-15	O-Ring, Secondary Bearing Sleeve to Secondary Bearing Cover	Buna-n
10	1	TT250-028-04	Secondary Bearing Cover	Steel
11	1	TT250-029-16	Secondary Grease Seal	NBR Nitrile Rubber and Steel
12	1	MPH-G-00001	Lubricating Grease Nipple 1/4"	Stainless Steel
13	2	MPH-W-00004	Washer, Flat 3/8"	Steel
14	2	MPH-W-00005	Washer, Lock 3/8"	Steel
15	2	MPH-S-00007	Hex Head Cap Screw, 3/8"	Steel
Shaft Selection				
16	1	TT250-021-08Y	Short Body Shaft	Stainless Steel
16	1	TT250-021-08LBP	Long Body Shaft	Stainless Steel
Bearing Sleeve Selection				
17	1	TT250-023-04U	250 Pump Secondary Bearing Sleeve Motor Mount Adapter	Ductile Iron
17	1	TT250-023-04T	250 Pump Secondary Bearing Sleeve Stub Shaft	Ductile Iron

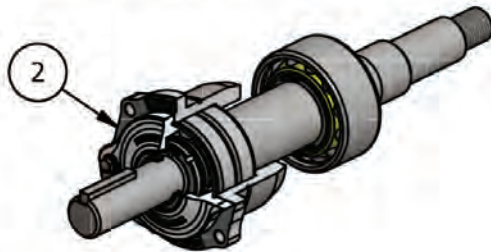
STANDARD 250 PUMP SHAFT KIT PARTS



250 PUMP MOTOR MOUNT SHAFT KIT COMPLETE



250 PUMP STUB SHAFT KIT COMPLETE



WARNING!

To prevent shaft distortion and damage, bearings must be installed using a heated method. Refer to the Tibban 250 Pump Installation and Maintenance Manual for the proper procedure.

MUD PUPPY SAND GUZZLER

The Mud Puppy Sand Guzzler is a patented, self-contained centrifugal pump which comes in four different sizes and is available in two different materials (cast iron, tetra green).



T11 TETRA GREEN

The Mud Puppy Sand Guzzler is placed near the drill hole so that it can be submersed in the drilling fluid that rises from the hole. The Mud Puppy Sand Guzzler will fill

with fluid and push sand and rocks up to 2" in diameter through the opening of its bases which is then delivered to the Mud Puppy unit for cleaning and sorting.

The Mud Puppy Sand Guzzler is able to run dry without suffering damage.



T11 CAST IRON



T09 CAST IRON



T08 CAST IRON



T09 TETRA GREEN



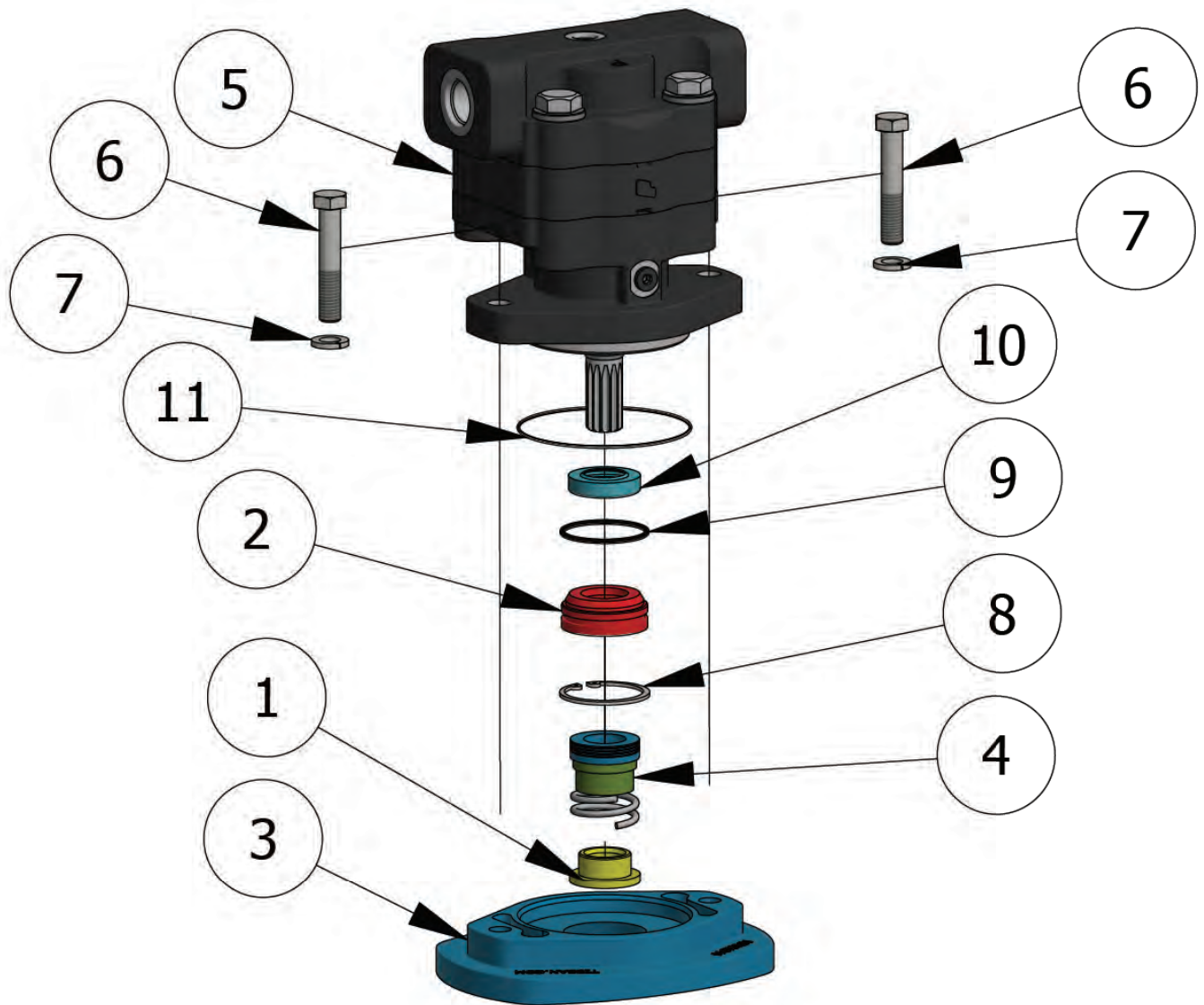
T06 CAST IRON



MP001047 KIT T09 AND T11 SAND GUZZLER MOTOR 1 INCH MECHANICAL SEAL

MP001047 Kit, T09 and T11 Sand Guzzler 1 Inch Mechanical Seal Packing List

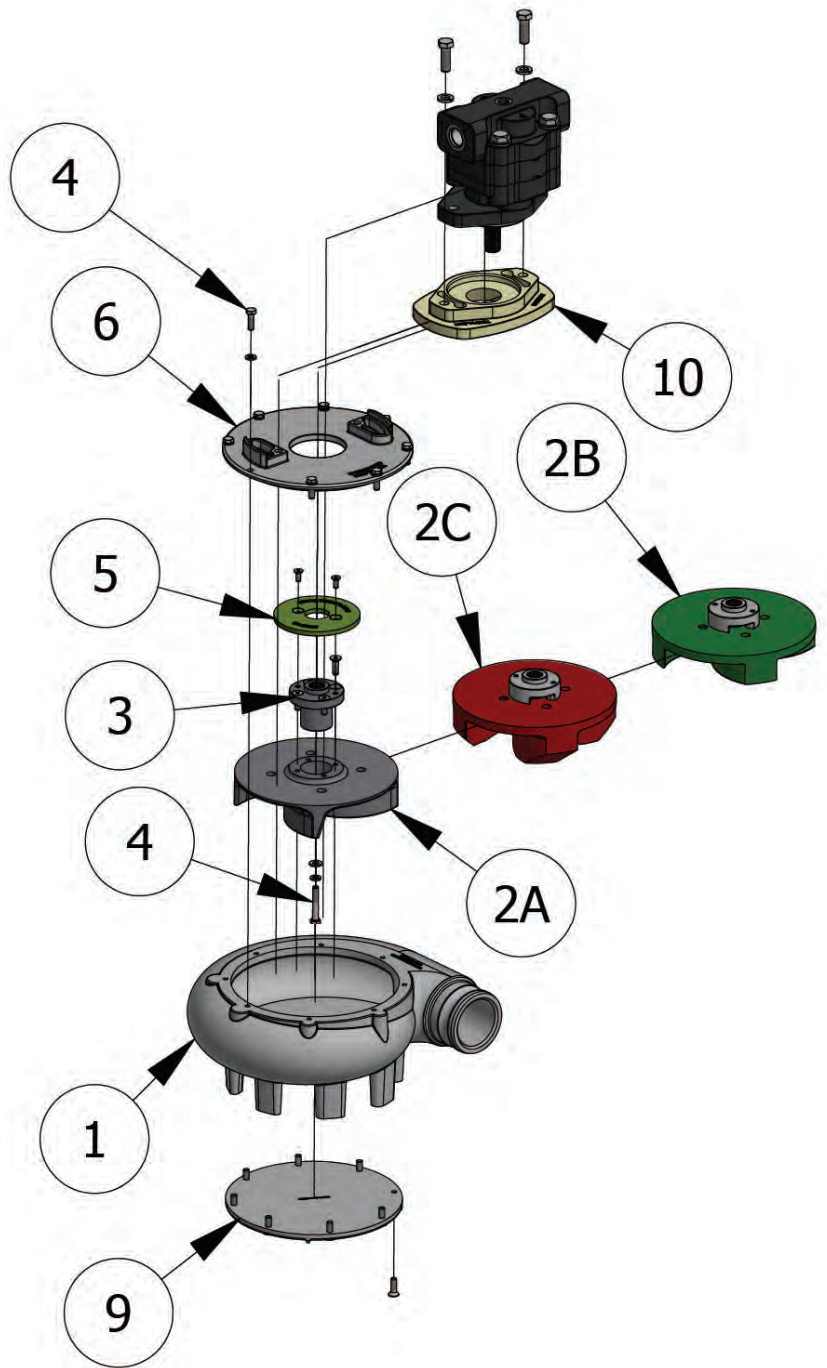
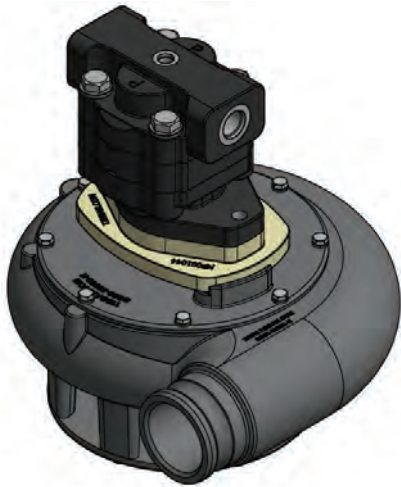
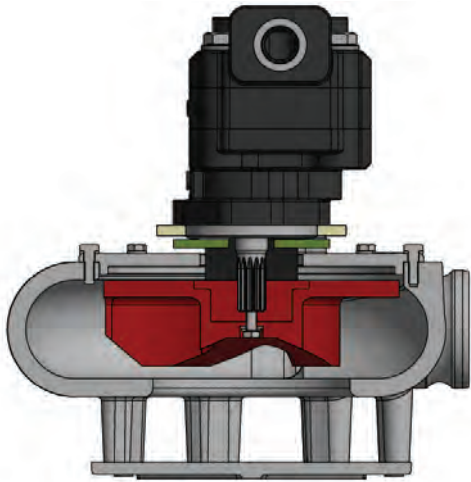
Item	Qty	Part #	Description
Standard Pump Selection			
1	1	MP001042	Spacer, Mechanical Seal Hub
2	1	MP001043	Sleeve, Mechanical Seal
3	1	MP001044	Plate, Mount, Sand Guzzler Mechanical Seal Motor
4	1	MP001045	Seal, Mechanical, Sand Guzzler
5	1	MP001046	Motor, Sand Guzzler
6	2	MPH-B-00058	Bolt, 1/2"-13 X 3-1/4" HCS G5Z
7	2	MPH-W-00012	Washer, Lock, 1/2", Grade 5
8	1	MP001065	Retaining Ring (MP001046 Motor)
9	1	MP001067	O-Ring, -134
10	1	MP301082	Seal, Primary, Sand Guzzler
11	1	MPH-R-00008	O-Ring, #2-045





T09 SAND GUZZLER EXPLODED VIEW PERMCO MOTOR WITH MECHANICAL SEAL

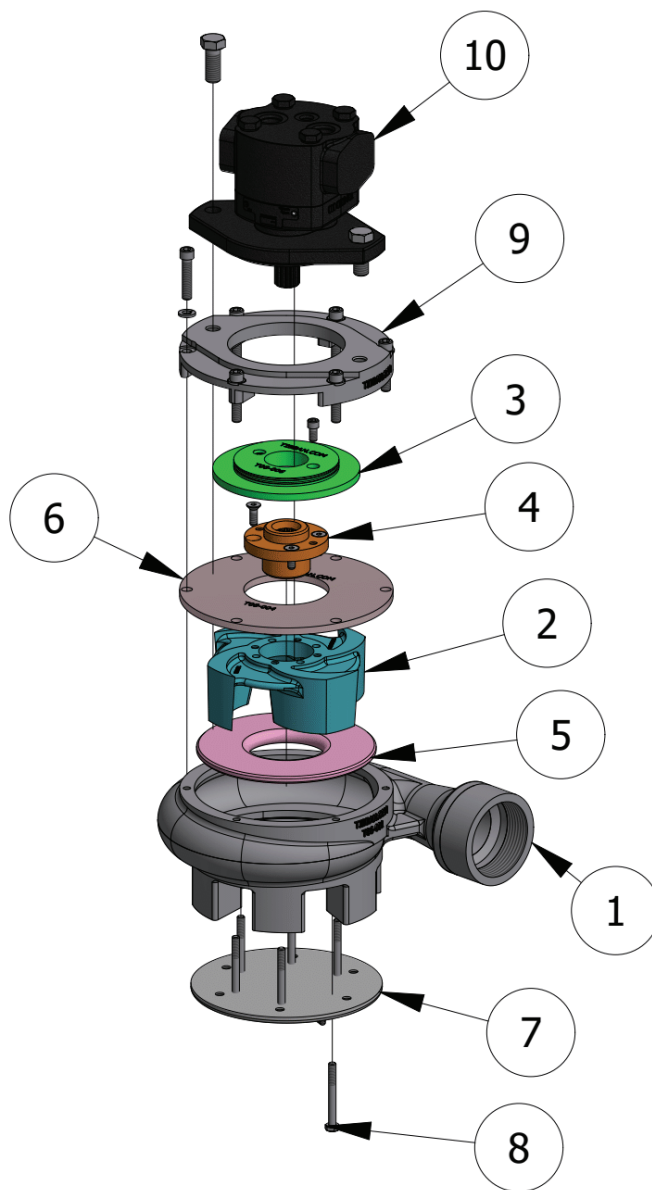
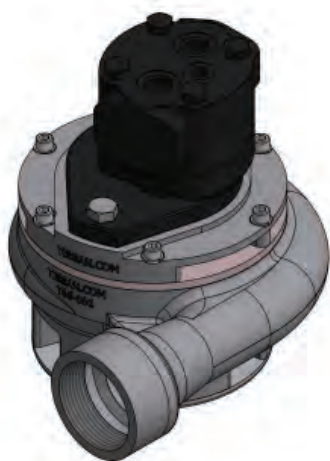
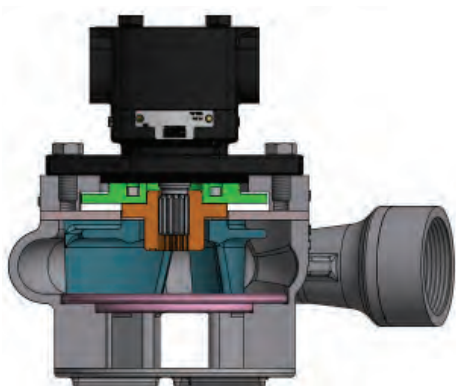
MP001047 Kit, T09 and T11 Sand Guzzler 1 Inch Mechanical Seal Packing List				
Item	Qty	Part #	Description	
Standard Pump Selection				
4	1	T09-BK	Bolt Kit	Steel
5	1	SG00022	Sand Guzzler Splasher Plate	Steel
7	1	SG001001	Pick Up Pump Parker Motor	Varies
8	1	MP12613-2	Hub Spacer	Steel
9	1	SG09-30004	Base Plate	Aluminum
10	1	SG-20003-1	Sand Guzzler Motor Mount Plate	Aluminum
Housing Selection				
Aluminum Option - Good for clear water only; abrasion will wear quickly				
1	1	T09-01-AL	Housing	Aluminum
Cast Iron Option - Weighs more than aluminum but lasts 2-3 times longer				
1	1	T09-01-CI	Housing	Cast Iron
Tetragrene Option - Lasts 2-3 times longer than cast iron and weighs less than aluminum				
1	1	SG09-30002-TG	Housing	Tetragrene
Impeller and Top Plate Selection				
Aluminum Option - Weighs less than cast iron and less durable				
2A	1	T09-02-AL	Impeller	Aluminum
6	1	T09-03-AL	Top Plate	Aluminum
3	1	T11-16-6-1	Splined Hub	Steel
Cast Iron Option - Lasts 2-3 times longer than aluminum; can be used with all drilling muds; cost effective but weighs more than aluminum				
2A	1	T09-02-CI	Impeller	Cast Iron
6	1	SG09-2003-CI	Top Plate	Cast Iron
3	1	T11-16-6-1	Splined Hub	Steel
Polyurethane Pressure Option - Weighs less than aluminum and cast iron and lasts 2-3 times longer than aluminum				
2B	1	T09-02-P	Standard Pressure Impeller	Polyurethane
2B	1	SG09-30011	High Pressure Impeller	Polyurethane
Tetragrene Pressure Option - Lasts 2-3 times longer than Polyurethane				
2B	1	T09-02-TG	Standard Pressure Impeller	Tetragrene
2B	1	SG09-3002-TG	High Pressure Impeller	Tetragrene





T06 SAND GUZZLER EXPLODED VIEW

T06 Sand Guzzler				
Item	Qty	Part Number	Description	Material
Standard Pump Selection				
1	1	T06-001	Pump Housing	Cast Iron
2	1	T06-002	Impeller	Cast Iron
3	1	T06-006	Splasher Plate	Cast Iron
4	1	T06-008	Splined Hub	Steel
5	1	T06-007	Wearplate Bottom	Cast Iron
6	1	T06-004	Top Plate	Cast Iron
7	1	T06-005	Base Plate	Cast Iron
8	1	T06-BK	Bolt Kit	Steel
Motor and Motor Base Selection				
.5 CID Motor				
9	1	T06-003	Motor Base Small	Cast Iron
10	1	MP-U262-00003	Motor Small	Varies

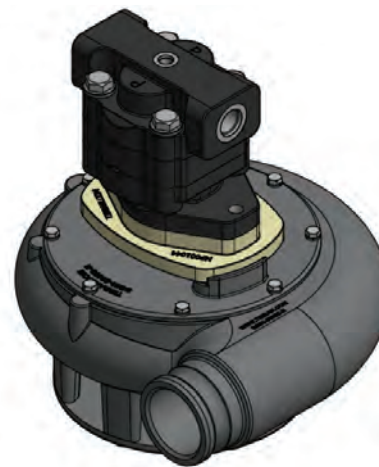
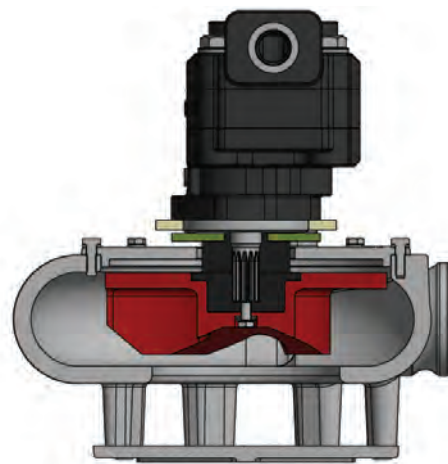
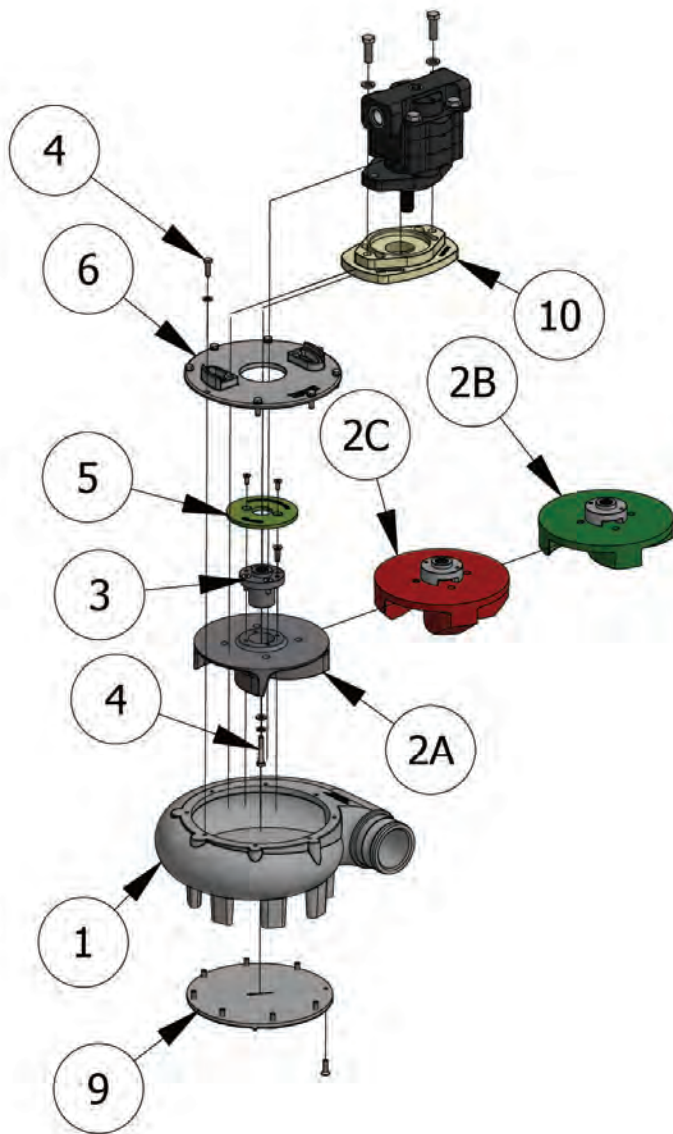




T11 SAND GUZZLER EXPLODED VIEW

PERMCO MOTOR WITH MECHANICAL SEAL

T11 Sand Guzzler				
Item	Qty	Part Number	Description	Material
Standard Pump Selection				
4	1	T11-BK	Bolt Kit	Steel
5	1	SG00022	Sand Guzzler Splasher Plate	Steel
7	1	SG001001	Pick Up Pump Parker Motor	Varies
9	1	SG11-30004	Base Plate	Aluminum
10	1	MP001044	Plate - Motor Mount Adapter, Nylon	Aluminum
Housing Selection				
Aluminum Option - Good for clear water only; abrasion will wear quickly				
1	1	T11-01-AL	Housing	Aluminum
Cast Iron Option - Weighs more than aluminum but lasts 2-3 times longer				
1	1	T11-01-CI	Housing	Cast Iron
Polyurethane Option - Lasts 2-3 times longer than cast iron and weighs less than aluminum				
1	1	SG11-30002	Housing	Polyurethane
Tetragrene Pressure Option - Lasts 2-3 times longer than Polyurethane				
1	1	SG11-30002-TG	Housing	Tetragrene
Impeller and Top Plate Selection				
Aluminum Option - Weighs less than cast iron and less durable				
2A	1	T11-02-AL	Impeller	Aluminum
6	1	T11-03-AL	Top Plate	Aluminum
3	1	T11-16-6-1	Splined Hub	Steel
Cast Iron Option - Lasts 2-3 times longer than aluminum; can be used with all drilling muds; cost effective but weighs more than aluminum				
2A	1	T11-02-CI	Impeller	Cast Iron
6	1	SG11-2003-CI	Top Plate	Cast Iron
3	1	T11-16-6-1	Splined Hub	Steel
Polyurethane Option - Lasts 2-3 times longer than cast iron and weighs less than aluminum				
2C	1	T11-02	Standard Pressure Impeller	Polyurethane
2C	1	SG11-30002	High Pressure Impeller	Polyurethane
Tetragrene Pressure Option - Lasts 2-3 times longer than Polyurethane				
2B	1	T11-02-TG	Standard Pressure Impeller	Tetragrene
2B	1	SG-30002-TG	High Pressure Impeller	Tetragrene





SAND GUZZLER FLOW RATES

T11 Sand Guzzler 500 GPM								
Hyrdraulic GPM	5	6	7	8	9	9.25	10	
11" Standard Impeller								
Hydraulic PSI	1030	1280	1720	2210	2660	2940	X	
Feet of Head	4	7	9	13	16	19	X	
Water Capacity GPM	321	366	442	508	566	582	X	
11" High Pressure Impeller								
Hydraulic PSI	1535	2070	2550	2570	X	X	2900	
Feet of Head	15	20	23	23	X	X	25	
Water Capacity GPM	432	517	582	591	X	X	612	
T09 Sand Guzzler 350 GPM								
Hyrdraulic GPM	5	7	8	9	10	11	12	12.5
9" Standard Impeller								
Hydraulic PSI	560	960	1290	1615	1930	2460	2550	2840
Feet of Head	0.2	8	13	17	22	30	32	36
Water Capacity GPM	210	294	302	395	435	476	492	513
9" High Pressure Impeller								
Hydraulic PSI	630	1040	1340	1660	2100	2330	2680	2860
Feet of Head	6	10	15	21	27	32	39	46
Water Capacity GPM	236	324	370	411	455	472	496	488





MUD PUPPY WARRANTY

We stand behind our parts and units and want you to feel secure that we have your back when you need us. Please inquire with our staff or your distributor regarding warranty options through Mud Puppy or our authorized distributors.

Discover more Mud Puppy Products online at mudpuppyinc.com

Speak with us at **530.662.5055**

Or write to us at orders@mudpuppyinc.com

