

# MUD PUPPY SAND GUZZLER

The Mud Puppy Sand Guzzler is a patented, self-contained centrifugal pump which comes in four different sizes and is available in two different materials (cast iron, tetra green).



**T11 TETRA GREEN**

The Mud Puppy Sand Guzzler is placed near the drill hole so that it can be submersed in the drilling fluid that rises from the hole. The Mud Puppy Sand Guzzler will fill

with fluid and push sand and rocks up to 2" in diameter through the opening of its bases which is then delivered to the Mud Puppy unit for cleaning and sorting.

The Mud Puppy Sand Guzzler is able to run dry without suffering damage.



**T11 CAST IRON**



**T09 CAST IRON**



**T08 CAST IRON**



**T09 TETRA GREEN**



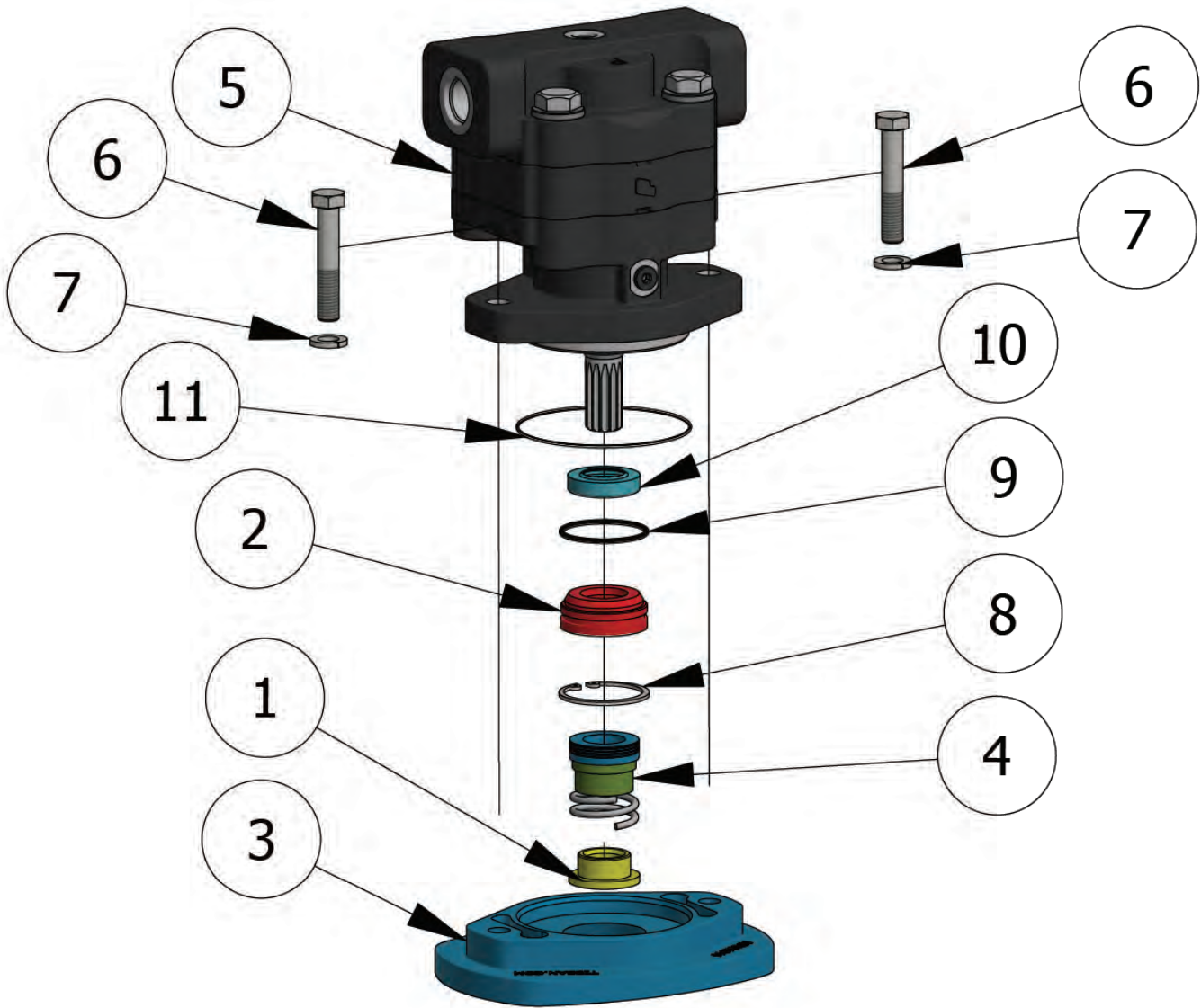
**T06 CAST IRON**



# MP001047 KIT T09 AND T11 SAND GUZZLER MOTOR 1 INCH MECHANICAL SEAL

## MP001047 Kit, T09 and T11 Sand Guzzler 1 Inch Mechanical Seal Packing List

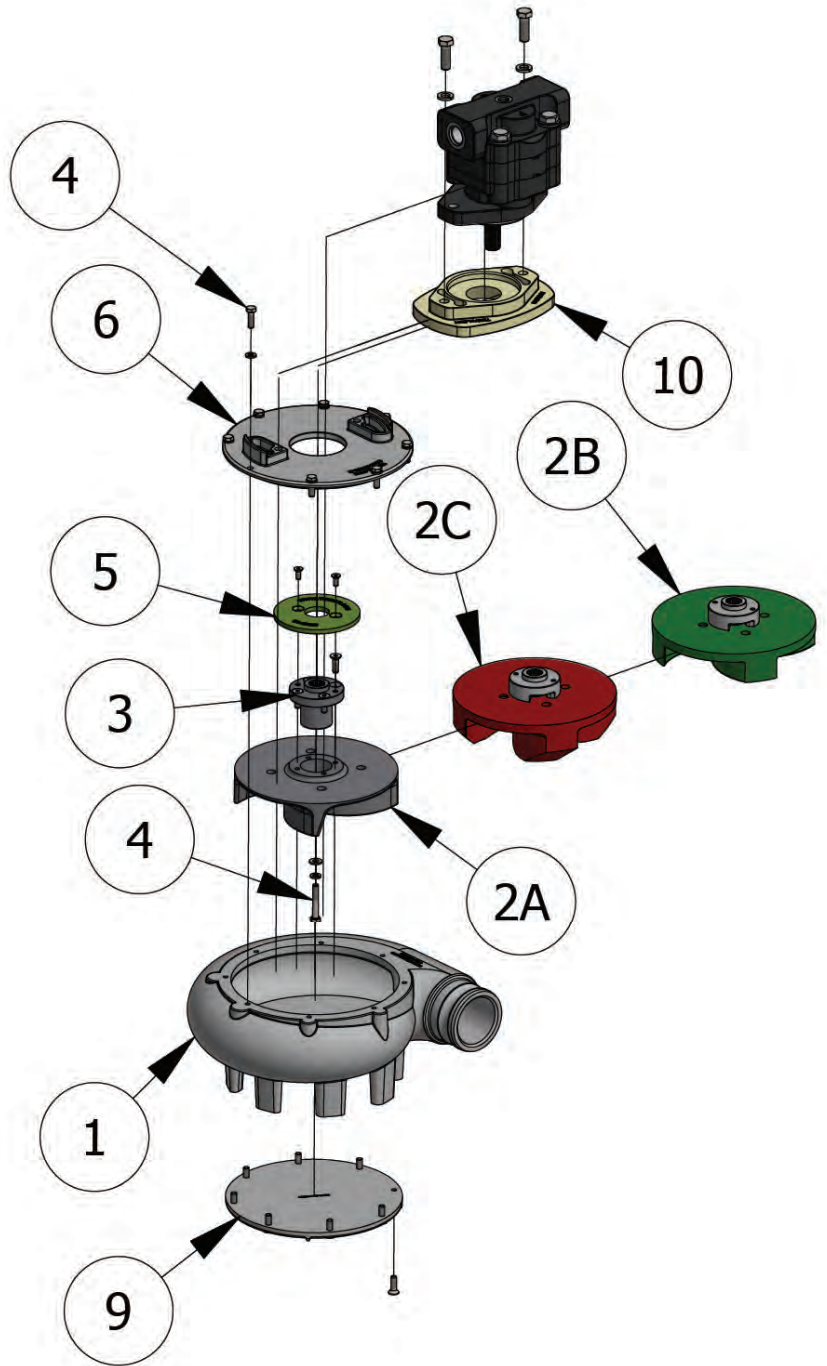
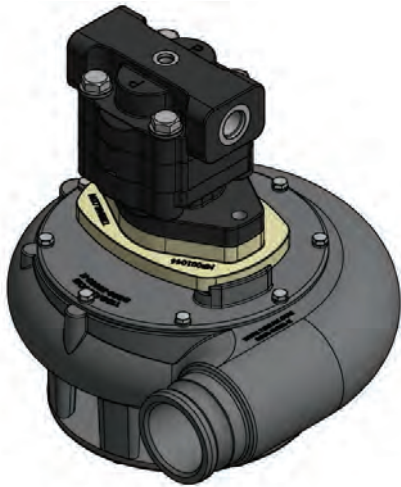
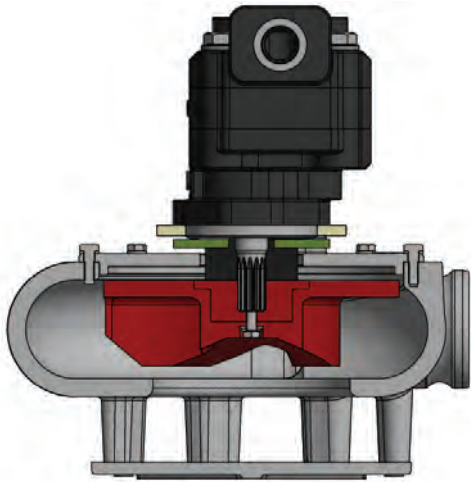
Item	Qty	Part #	Description
<b>Standard Pump Selection</b>			
1	1	MP001042	Spacer, Mechanical Seal Hub
2	1	MP001043	Sleeve, Mechanical Seal
3	1	MP001044	Plate, Mount, Sand Guzzler Mechanical Seal Motor
4	1	MP001045	Seal, Mechanical, Sand Guzzler
5	1	MP001046	Motor, Sand Guzzler
6	2	MPH-B-00058	Bolt, 1/2"-13 X 3-1/4" HCS G5Z
7	2	MPH-W-00012	Washer, Lock, 1/2", Grade 5
8	1	MP001065	Retaining Ring (MP001046 Motor)
9	1	MP001067	O-Ring, -134
10	1	MP301082	Seal, Primary, Sand Guzzler
11	1	MPH-R-00008	O-Ring, #2-045





# T09 SAND GUZZLER EXPLODED VIEW PERMCO MOTOR WITH MECHANICAL SEAL

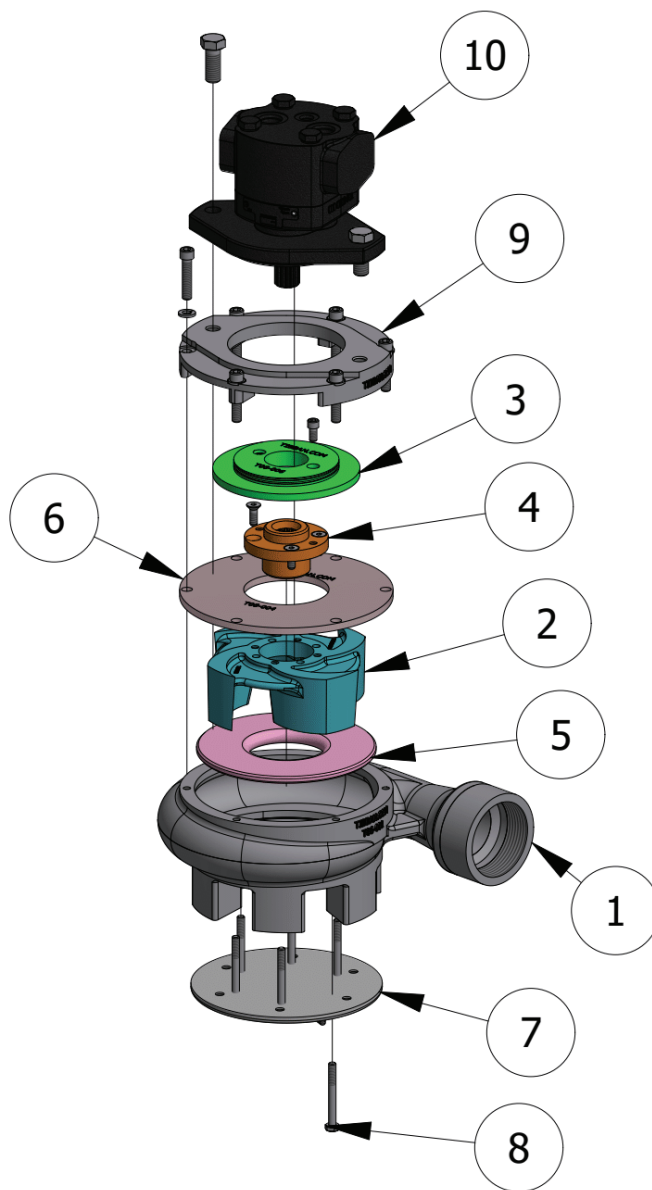
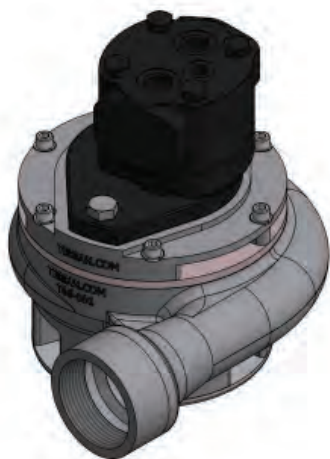
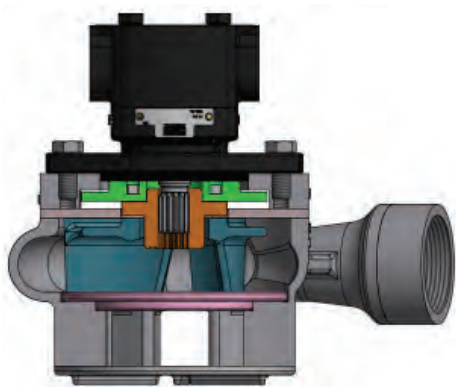
MP001047 Kit, T09 and T11 Sand Guzzler 1 Inch Mechanical Seal Packing List				
Item	Qty	Part #	Description	
<b>Standard Pump Selection</b>				
4	1	T09-BK	Bolt Kit	Steel
5	1	SG00022	Sand Guzzler Splasher Plate	Steel
7	1	SG001001	Pick Up Pump Parker Motor	Varies
8	1	MP12613-2	Hub Spacer	Steel
9	1	SG09-30004	Base Plate	Aluminum
10	1	SG-20003-1	Sand Guzzler Motor Mount Plate	Aluminum
<b>Housing Selection</b>				
Aluminum Option - Good for clear water only; abrasion will wear quickly				
1	1	T09-01-AL	Housing	Aluminum
Cast Iron Option - Weighs more than aluminum but lasts 2-3 times longer				
1	1	T09-01-CI	Housing	Cast Iron
Tetragrene Option - Lasts 2-3 times longer than cast iron and weighs less than aluminum				
1	1	SG09-30002-TG	Housing	Tetragrene
<b>Impeller and Top Plate Selection</b>				
Aluminum Option - Weighs less than cast iron and less durable				
2A	1	T09-02-AL	Impeller	Aluminum
6	1	T09-03-AL	Top Plate	Aluminum
3	1	T11-16-6-1	Splined Hub	Steel
Cast Iron Option - Lasts 2-3 times longer than aluminum; can be used with all drilling muds; cost effective but weighs more than aluminum				
2A	1	T09-02-CI	Impeller	Cast Iron
6	1	SG09-2003-CI	Top Plate	Cast Iron
3	1	T11-16-6-1	Splined Hub	Steel
Polyurethane Pressure Option - Weighs less than aluminum and cast iron and lasts 2-3 times longer than aluminum				
2B	1	T09-02-P	Standard Pressure Impeller	Polyurethane
2B	1	SG09-30011	High Pressure Impeller	Polyurethane
Tetragrene Pressure Option - Lasts 2-3 times longer than Polyurethane				
2B	1	T09-02-TG	Standard Pressure Impeller	Tetragrene
2B	1	SG09-3002-TG	High Pressure Impeller	Tetragrene





## T06 SAND GUZZLER EXPLODED VIEW

T06 Sand Guzzler				
Item	Qty	Part Number	Description	Material
<b>Standard Pump Selection</b>				
1	1	T06-001	Pump Housing	Cast Iron
2	1	T06-002	Impeller	Cast Iron
3	1	T06-006	Splasher Plate	Cast Iron
4	1	T06-008	Splined Hub	Steel
5	1	T06-007	Wearplate Bottom	Cast Iron
6	1	T06-004	Top Plate	Cast Iron
7	1	T06-005	Base Plate	Cast Iron
8	1	T06-BK	Bolt Kit	Steel
<b>Motor and Motor Base Selection</b>				
<b>.5 CID Motor</b>				
9	1	T06-003	Motor Base Small	Cast Iron
10	1	MP-U262-00003	Motor Small	Varies



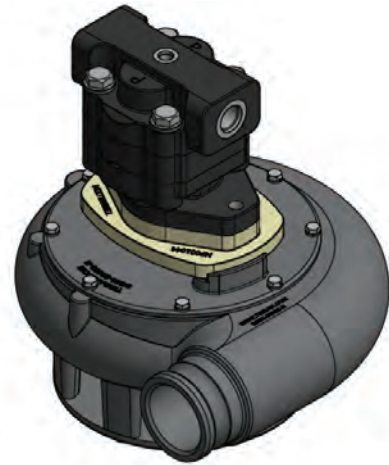
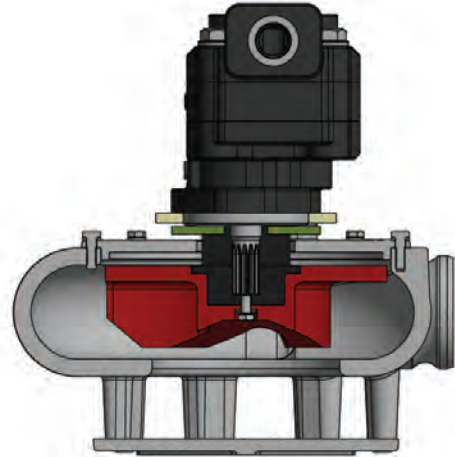
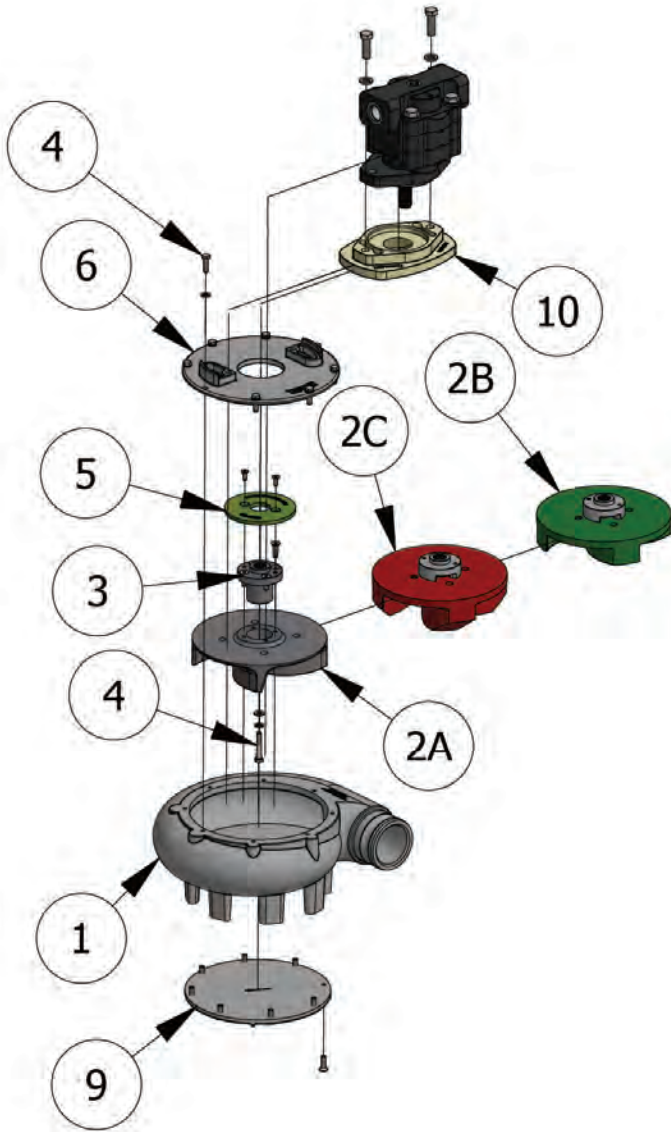




# T11 SAND GUZZLER EXPLODED VIEW

## PERMCO MOTOR WITH MECHANICAL SEAL

T11 Sand Guzzler				
Item	Qty	Part Number	Description	Material
<b>Standard Pump Selection</b>				
4	1	T11-BK	Bolt Kit	Steel
5	1	SG00022	Sand Guzzler Splasher Plate	Steel
7	1	SG001001	Pick Up Pump Parker Motor	Varies
9	1	SG11-30004	Base Plate	Aluminum
10	1	MP001044	Plate - Motor Mount Adapter, Nylon	Aluminum
<b>Housing Selection</b>				
Aluminum Option - Good for clear water only; abrasion will wear quickly				
1	1	T11-01-AL	Housing	Aluminum
Cast Iron Option - Weighs more than aluminum but lasts 2-3 times longer				
1	1	T11-01-CI	Housing	Cast Iron
Polyurethane Option - Lasts 2-3 times longer than cast iron and weighs less than aluminum				
1	1	SG11-30002	Housing	Polyurethane
Tetragrene Pressure Option - Lasts 2-3 times longer than Polyurethane				
1	1	SG11-30002-TG	Housing	Tetragrene
<b>Impeller and Top Plate Selection</b>				
Aluminum Option - Weighs less than cast iron and less durable				
2A	1	T11-02-AL	Impeller	Aluminum
6	1	T11-03-AL	Top Plate	Aluminum
3	1	T11-16-6-1	Splined Hub	Steel
Cast Iron Option - Lasts 2-3 times longer than aluminum; can be used with all drilling muds; cost effective but weighs more than aluminum				
2A	1	T11-02-CI	Impeller	Cast Iron
6	1	SG11-2003-CI	Top Plate	Cast Iron
3	1	T11-16-6-1	Splined Hub	Steel
Polyurethane Option - Lasts 2-3 times longer than cast iron and weighs less than aluminum				
2C	1	T11-02	Standard Pressure Impeller	Polyurethane
2C	1	SG11-30002	High Pressure Impeller	Polyurethane
Tetragrene Pressure Option - Lasts 2-3 times longer than Polyurethane				
2B	1	T11-02-TG	Standard Pressure Impeller	Tetragrene
2B	1	SG-30002-TG	High Pressure Impeller	Tetragrene





# SAND GUZZLER FLOW RATES

<b>T11 Sand Guzzler 500 GPM</b>								
<b>Hyrdraulic GPM</b>	<b>5</b>	<b>6</b>	<b>7</b>	<b>8</b>	<b>9</b>	<b>9.25</b>	<b>10</b>	
<b>11" Standard Impeller</b>								
Hydraulic PSI	1030	1280	1720	2210	2660	2940	X	
Feet of Head	4	7	9	13	16	19	X	
Water Capacity GPM	321	366	442	508	566	582	X	
<b>11" High Pressure Impeller</b>								
Hydraulic PSI	1535	2070	2550	2570	X	X	2900	
Feet of Head	15	20	23	23	X	X	25	
Water Capacity GPM	432	517	582	591	X	X	612	
<b>T09 Sand Guzzler 350 GPM</b>								
<b>Hyrdraulic GPM</b>	<b>5</b>	<b>7</b>	<b>8</b>	<b>9</b>	<b>10</b>	<b>11</b>	<b>12</b>	<b>12.5</b>
<b>9" Standard Impeller</b>								
Hydraulic PSI	560	960	1290	1615	1930	2460	2550	2840
Feet of Head	0.2	8	13	17	22	30	32	36
Water Capacity GPM	210	294	302	395	435	476	492	513
<b>9" High Pressure Impeller</b>								
Hydraulic PSI	630	1040	1340	1660	2100	2330	2680	2860
Feet of Head	6	10	15	21	27	32	39	46
Water Capacity GPM	236	324	370	411	455	472	496	488

**T11 Sand Guzzler 500 GPM**

Hydraulic GPM	5	6	7	8	9	9.25	10
---------------	---	---	---	---	---	------	----

**11" Standard Impeller**

Hydraulic PSI	1030	1280	1720	2210	2660	2940	
Feet of Head	4	7	9	13	16	19	
Water Capacity GPM	321	366	442	508	566	582	

**11" High Pressure Impeller**

Hydraulic PSI	1535	2070	2550	2570			2900
Feet of Head	15	20	23	23			25
Water Capacity GPM	432	517	582	591			612

**T09 Sand Guzzler 350 GPM**

Hydraulic GPM	5	7	8	9	10	11	12	12.5
---------------	---	---	---	---	----	----	----	------

**9" Standard Impeller**

Hydraulic PSI	560	960	1290	1615	1930	2460	2550	2840
Feet of Head	0.2	8	13	17	22	30	32	36
Water Capacity GPM	210	294	302	395	435	476	492	513

**9" High Pressure Impeller**

Hydraulic PSI	630	1040	1340	1660	2100	2330	2680	2860
Feet of Head	6	10	15	21	27	32	39	46
Water Capacity GPM	236	324	370	411	455	472	496	488

\* All values are with the pump submerged in a constant 24" of clear water and measured at the pump & motor nearest points.